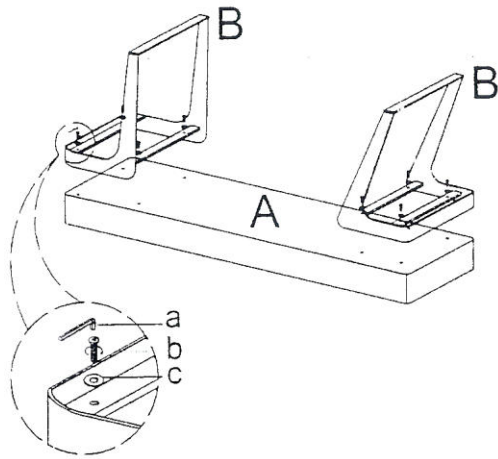


# UTTERMOST

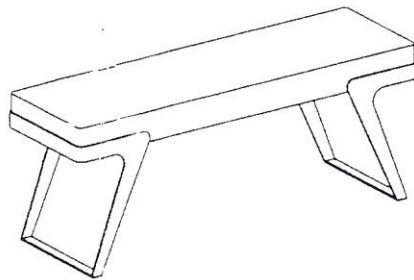
## ASSEMBLY INSTRUCTIONS

STYLE:23758

Part.1



Part.2



### Parts list

A	Cushion	1 PC
B	Bench Leg	2 PCS

### Hardware list

a	Allen Key	1 PC
b	Bolt	8 PCS
c	Flat Washer	8 PCS

1. Take the Parts carefully out of the carton, and then place them on a flat and soft surface, making sure that the parts will not be damaged.

2. Put the Cushion(A) upside down on a flat and soft surface, Then install the Bench Legs(B) appropriately. Individually screw the bolts (see part.1) and Finally all bolts should be tightened clockwise until secure.

Turn over the Bench ,Assembly is complete.

To Clean,wipe with soft dry cloth.