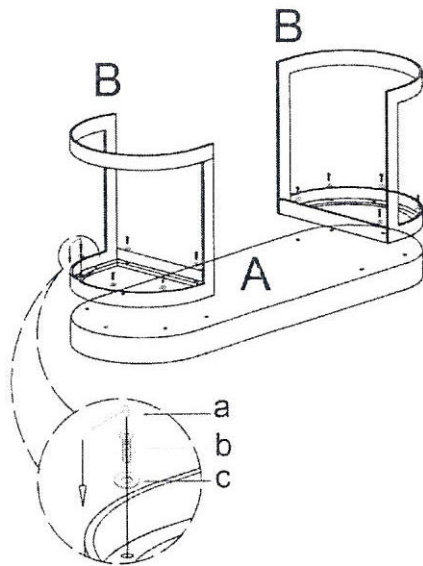


# UTTERMOST

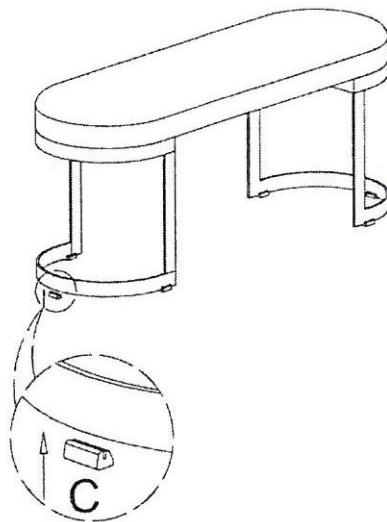
## ASSEMBLY INSTRUCTIONS

### STYLE:23757

Part.1



Part.2



#### Parts list

A	Cushion	1 PC
B	Bench Leg	2 PCS
C	Foot Protector	6 PCS

#### Hardware list

a	Allen Key	1 PC
b	Bolt	10 PCS
c	Flat Washer	10 PCS

1. Take the Parts carefully out of the carton, and then place them on a flat and soft surface, making sure that the parts will not be scratched.

2. Put the Cushion(A) upside down on a flat and soft surface, Then install the Bench Legs(B) appropriately. Individually screw the bolts (see part.1) and Finally all bolts should be tightened clockwise until secure.

3. Install the Foot Protector(6xC) under the Bench Leg frame as as Part. 2.

Please do not repeatedly remove and install the Foot Protector(C), It is easy to scratch the finish of Legs.

Turn over the Bench ,Assembly is complete.

To Clean, wipe with soft dry cloth.