




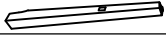




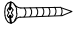



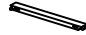


# UTTERMOST

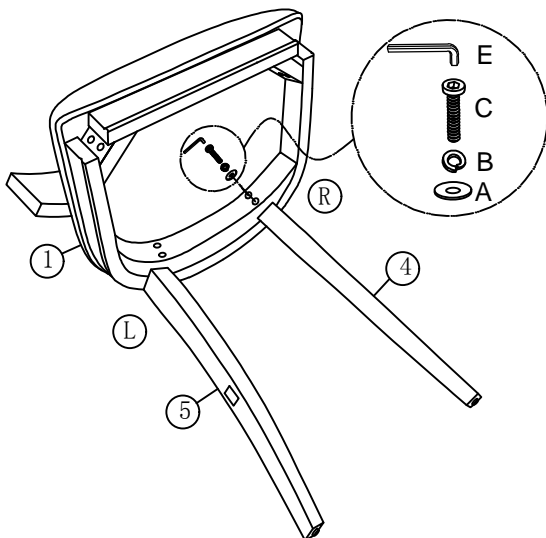
## ASSEMBLY INSTRUCTIONS

ITEM: 23693

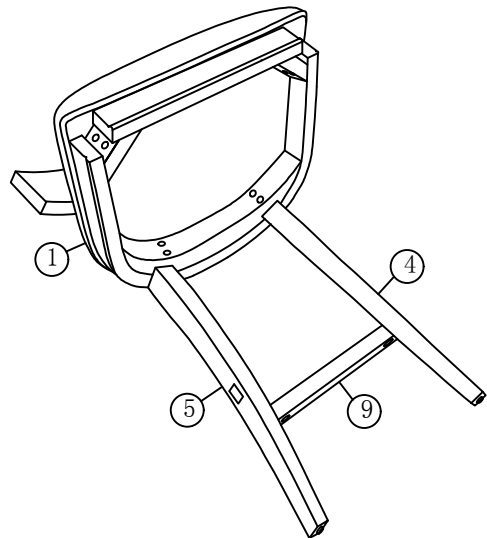
PARTS LIST							
NO	DRAWING	PARTS NAME	Q'TY	NO	PARTS NAME	DRAWING	Q'TY
A		FLAT WASHER 5/16"*3/4"	8PCS	1	SEAT FRAME		1PC
B		LOCK WASHER 5/16"	8PCS	2	RIGHT FRONT LEG		1PC
C		BOLTS DIA 5/16"*1-3/4"	4PCS	3	LEFT FRONT LEG		1PC
D		BOLTS DIA 5/16"*2-1/4"	4PCS	4	RIGHT BACK LEG		1PC
E		ALLEN WRENCH 5/16"	1PC	5	LEFT BACK LEG		1PC
F		WOOD SCREW 2"	8PCS	6	LEFT SIDE STRETCHER		1PC
				7	RIGHT SIDE STRETCHER		1PC
				8	FRONT STRETCHER		1PC
				9	BACK STRETCHER		1PC

**ASSEMBLY BOLTS MAY NEED TIGHTEND AFTER USE**

**STEP 1** Place SEAT FRAME (1) upside down on a flat surface to assemble . Insert RIGHT BACK LEG (4) following the label " R " on the lower right corner , insert LEFT BACK LEG (5) folling the label " L " on the lower left corner, secare using BOLTS ( c ), WASHER ( A and B), With ALLEN WRENCH ( E ).



**STEP 2** Insert 1 Back STRECHER(9) into holes to connect Back LEGS(4), (5).



NOTE : Leave BOLTS loose by 1/4 turn when securing LEGS until after STEP 5 .

NOTE : Do not add WOOD SCREWS ( F ) until STEP 5 .

**re- tighten the leg bolts after using a period of time**

To avoid wobbly product and gaps between legs and stretchers, please follow below steps to assemble:

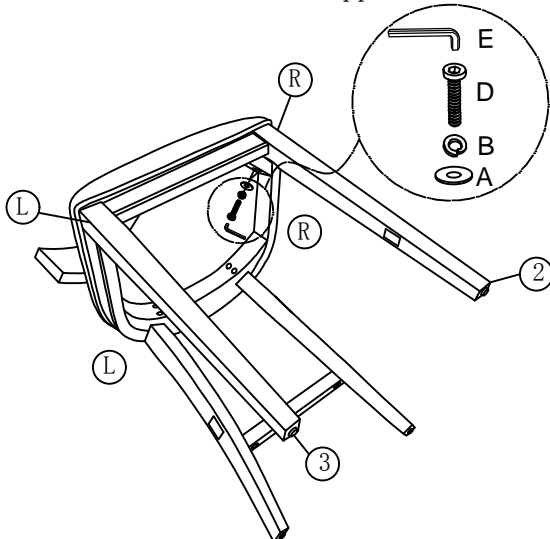
- 1) Attach the legs. Do not completely tighten the bolts that hold the legs.
- 2) Attached the stretchers. Completely tighten the screws that hold the stretchers.
- 3) Set the chair on the floor to level and then finish tightening the leg bolts

# UTTERMOST

## ASSEMBLY INSTRUCTIONS

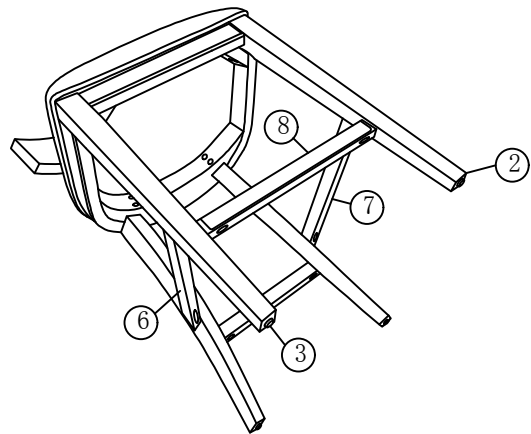
ITEM:23693

**STEP 3** Insert RIGHT FRONT LEG (2) following the label " R " on the upper right corner ,insert LEFT FRONT LEG (3) following the label " L " on the upper left corner .



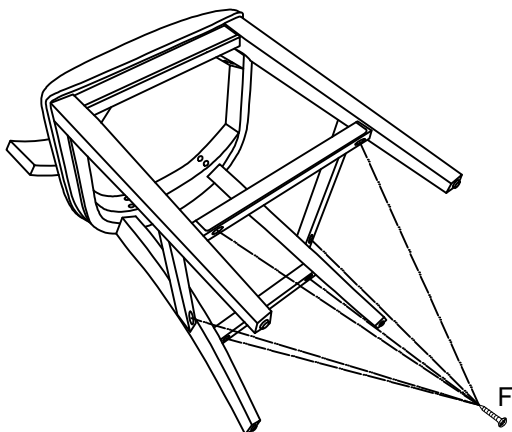
NOTE : Leave BOLTS loose by 1/4 turn when securing LEGS until after STEP 5.

**STEP 4** Insert STRETCHER front (8), LEFT (6), RIGHT ( 7 ) to connect Front , Back LEGS .



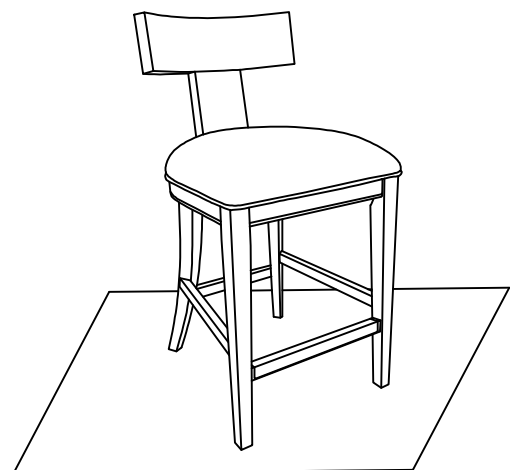
NOTE : Do not add WOOD SCREWS ( F ) until STEP 5 .

**STEP 5** Using a PHILLIPS HEAD SCREW DRIVER and Wood SCREW ( F ) tighten all Storchers securely . DO NOT OVERTIGHTEN .



**STEP 6** Place stool upright on a Level floor and press firmly down to even out of the legs , Once legs are Level use a ALLEN WRENCH to tighten all Bolts ( C , D ) securely.

Then completely tighten all screws that hold the stretchers .



**re- tighten the leg bolts after using a period of time**

To avoid wobbly product and gaps between legs and stretchers, please follow below steps to assemble:

- 1) Attach the legs.Do not completely tighten the bolts that hold the legs.
- 2) Attached the stretchers.Completely tighten the screws that hold the stretchers.
- 3) Set the chair on the floor to level and then finish tightening the leg bolts