









# UTTERMOST

## ASSEMBLY INSTRUCTIONS

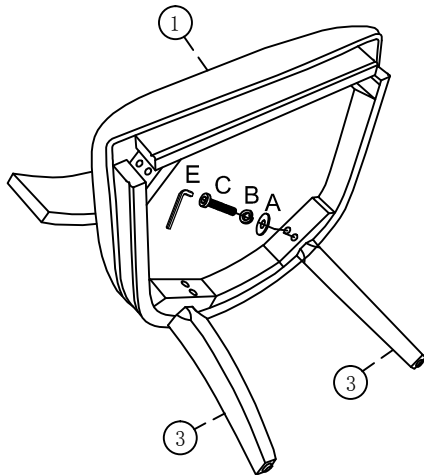
ITEM: 23595

### PARTS LIST

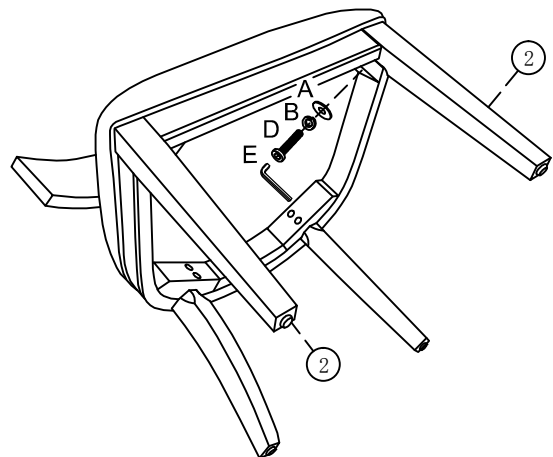
NO	DRAWING	PARTS NAME	Q'TY	NO	PARTS NAME	DRAWING	Q'TY
A		FLAT WASHER 5/16"*3/4"	8PCS	1	SEAT FRAME		1PC
B		LOCK WASHER 5/16"	8PCS				
C		BOLTS DIA 5/16"*1-3/4"	4PCS	2	FRONT LEG		2PCS
D		BOLTS DIA 5/16"*2-1/4"	4PCS	3	BACK LEG		2PCS
E		ALLEN WRENCH 5/16"	1PC				

ASSEMBLY BOLTS MAY NEED TIGHTEND AFTER USE

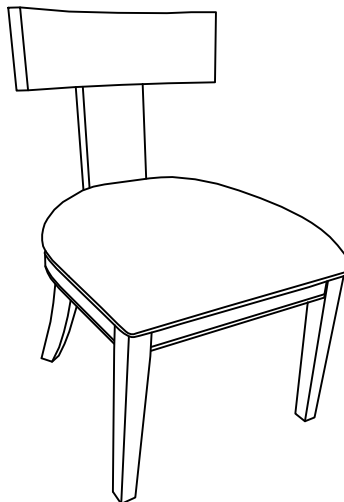
### STEP 1



### STEP 2



### STEP 3



re- tighten the leg bolts after using a period of time

To avoid wobbly product , please follow below steps to assemble:

- 1) Attach the legs.Do not completely tighten the bolts that hold the legs.
- 2) Set the chair on the floor to level and then finish tightening the leg bolts.