









UTTERMOST

ASSEMBLY INSTRUCTION

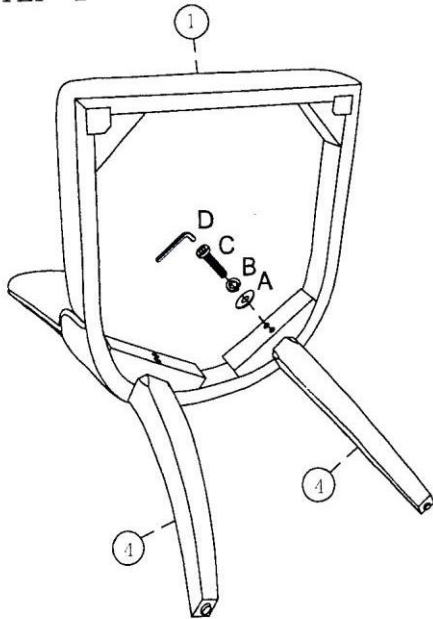
ITEM: 23540

PARTS LIST

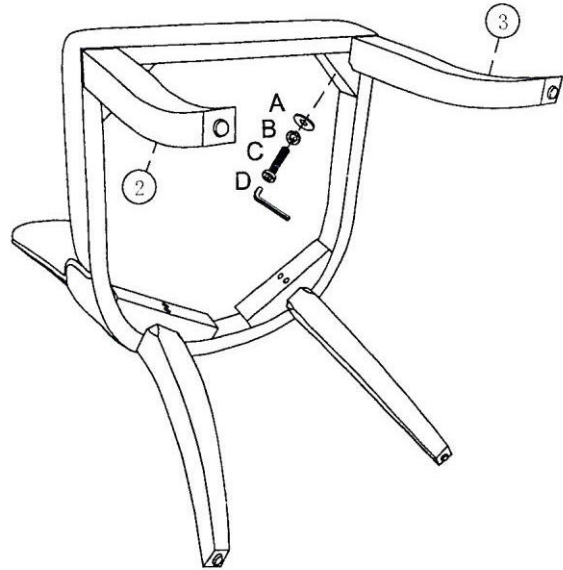
NO	DRAWING	PARTS NAME	Q'TY	NO	PARTS NAME	DRAWING	Q'TY
A		FLAT WASHER 5/16" * 3/4"	8PCS	1	SEAT FRAME		1PC
B		LOCK WASHER 5/16"	8PCS				
C		BOLTS DIA 5/16" * 2"	8PCS	2	LEFT FRONT LEG		1PC
D		ALLEN WRENCH 5/16"	1PC	3	RIGHT FRONT LEG		1PC
				4	BACK LEG		2PCS

ASSEMBLY BOLTS MAY NEED TIGHTEND AFTER USE

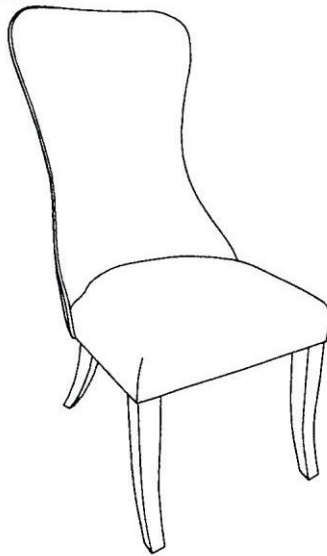
STEP 1



STEP 2



STEP 3



To avoid wobbly product , please follow below steps to assemble:

- 1) Attach the legs. Do not completely tighten the bolts that hold the legs.
- 2) Set the chair on the floor to level and then finish tightening the leg bolts.

PO BOX 558/3325 GRASSY HILL RD . ROCKY MOUNT. VIRGINIA 24151

www.uttermost.com