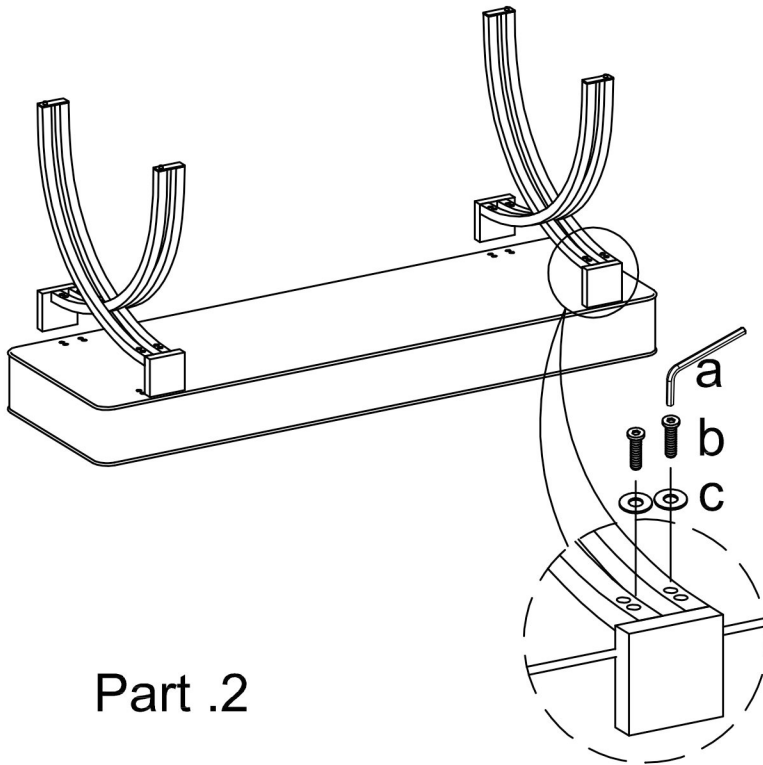




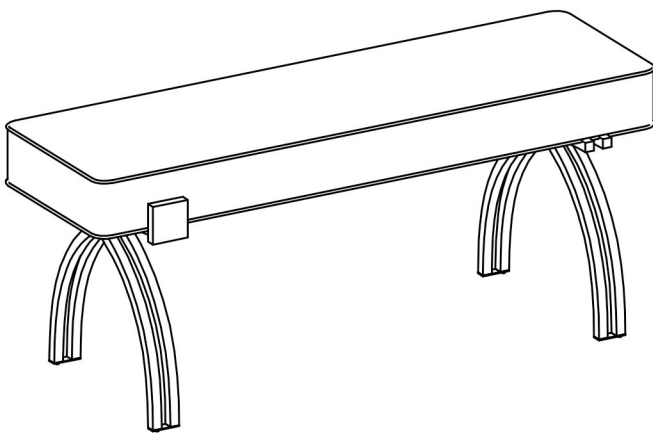
# Assembly Instruction

## STYLE:23520

### Part.1



### Part .2



#### Parts list

A	Seat Pad	1 PC
B	Table Leg	2 PCS

#### Hardware list

a	Bolt(Ø6x20mm)	16PCS
b	Flat Washer	16PCS
c	Allen Key	1PC

1. Take the Parts carefully out of the carton, and then place them on a flat and soft surface, making sure that the parts will not be scratched.

2. Put the Seat Pad (A) upside down on a flat surface, and then individually screw the bolts into the screw holes under the Seat Pad(A), and then tighten clockwise until secure.

3. Turn over the Bench and the assembly is complete, If the uneven ground, place rotate the adjustable foot pad on bottom of leg to adjust the height.

To Clean, wipe with soft dry cloth.