










UTTERMOST

ASSEMBLY INSTRUCTION

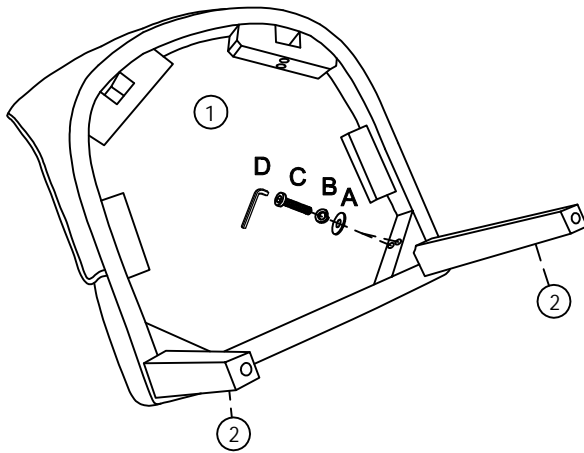
ITEM:23494

**PARTS LIST**

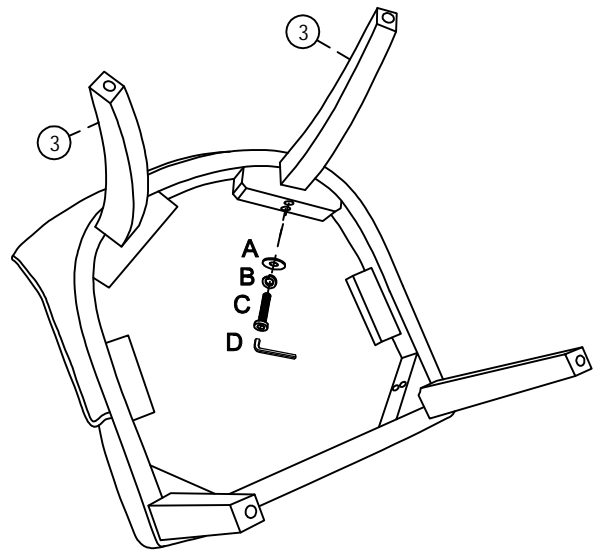
NO	DRAWING	PARTS NAME	Q'TY	NO	PARTS NAME	DRAWING	Q'TY
A		FLAT WASHER 5/16"*3/4"	8PCS	1	SEAT FRAME		1PC
B		LOCK WASHER 5/16"	8PCS				
C		BOLTS DIA 5/16"*2"	8PCS	2	FRONT LEG		2PCS
D		ALLEN WRENCH 5/16"	1PC	3	BACK LEG		2PCS

**ASSEMBLY BOLTS MAY NEED TIGHTEND AFTER USE**

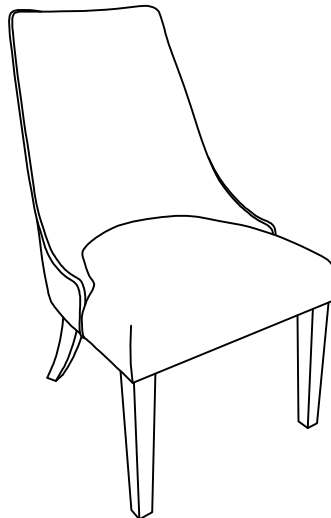
**STEP 1**



**STEP 2**



**STEP 3**



To avoid wobbly product , please follow below steps to assemble:

- 1) Attach the legs.Do not completely tighten the bolts that hold the legs.
- 2) Set the chair on the floor to level and then finish tightening the leg bolts.

PO BOX 558/3325 GRASSY HILL RD . ROCKY MOUNT.VIRGINIA 24151

www.uttermost.com