



UTTERMOST

ASSEMBLY INSTRUCTION

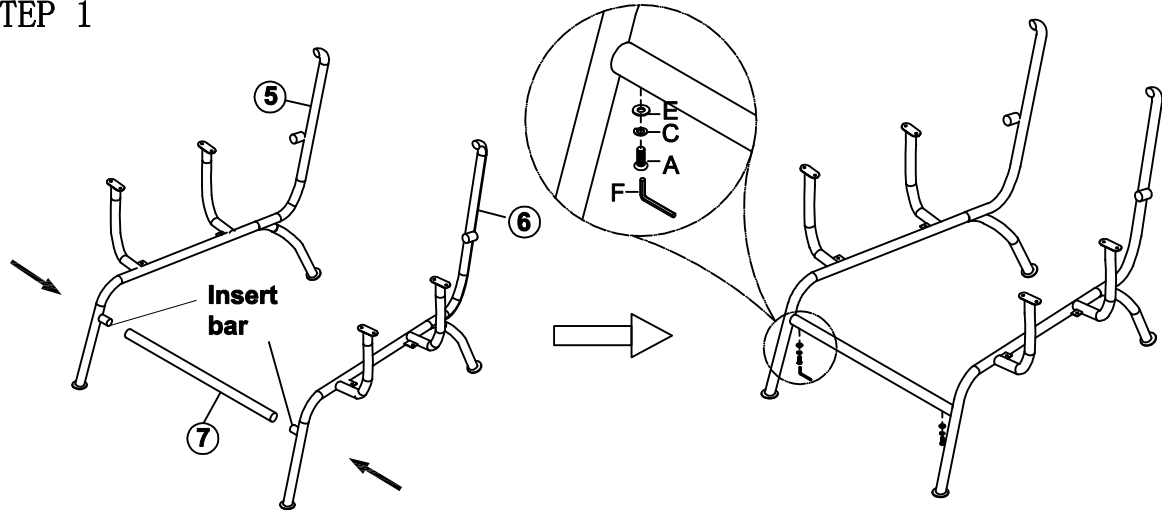
ITEM:23475

PARTS LIST

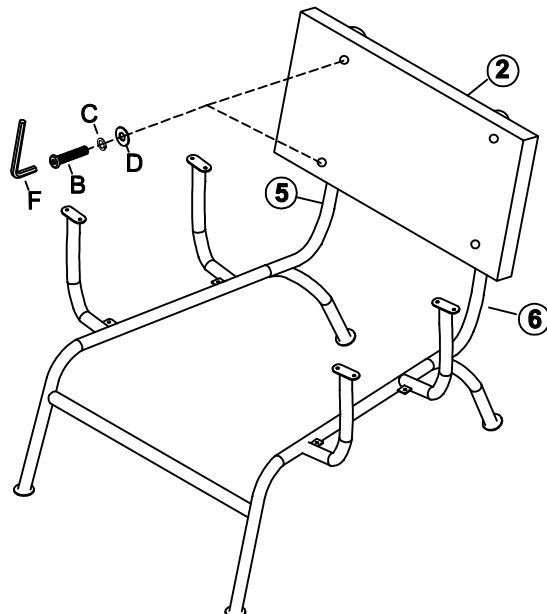
NO	DRAWING	PARTS NAME	Q'TY	NO	PARTS NAME	DRAWING	Q'TY
A		SHORT BOLTS $\phi 1/4" * 3/4" L$	14PCS	1	SEAT FRAME		1PC
B		LONG BOLTS $\phi 1/4" * 1-1/2" L$	4PCS	2	BACK PANEL		1PC
C		SPRING WASHERS 1/4" DIA	18PCS	3	LEFT WOOD ARM	(L)	1PC
D		SMALL FLAT WASHERS 1/4" * 12mm	4PCS	4	RIGHT WOOD ARM	(R)	1PC
E		BIG FLAT WASHERS 1/4" * 16mm	14PCS	5	LEFT SIDE METAL FRAME		1PC
F		ALLEN WRENCH 1/4"	1PC	6	RIGHT SIDE METAL FRAME		1PC
G		WOODEN PLUGS	4PCS	7	FRONT RAIL		1PC
				8	SEAT CUSHION		1PC
				9	REMOVABLE BACK CUSHION		1PC

ASSEMBLY BOLTS MAY NEED TIGHTEND AFTER USE

STEP 1



STEP 2



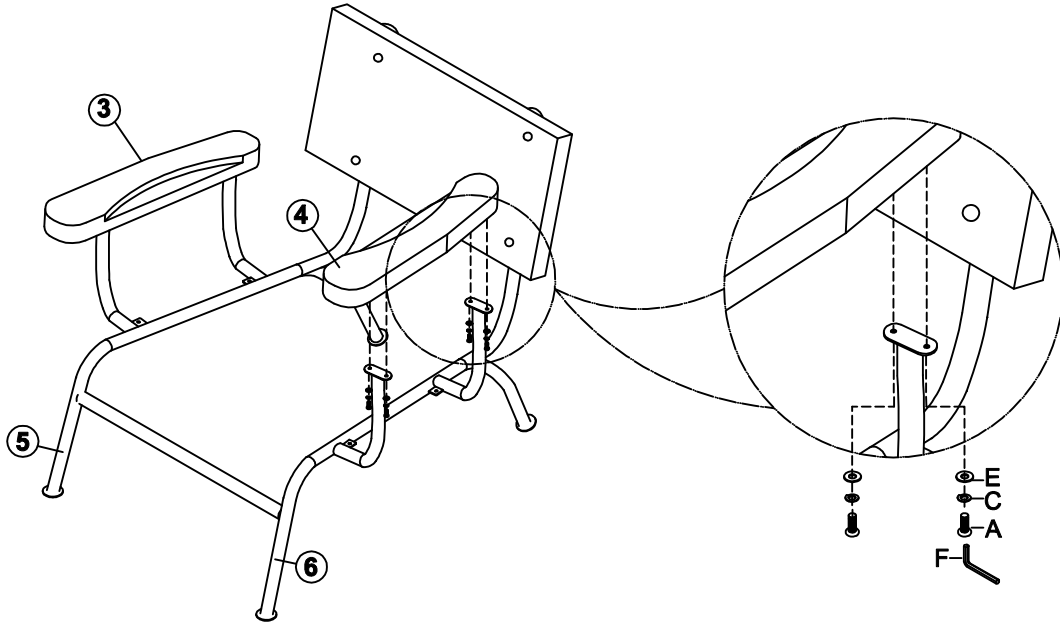


UTTERMOST

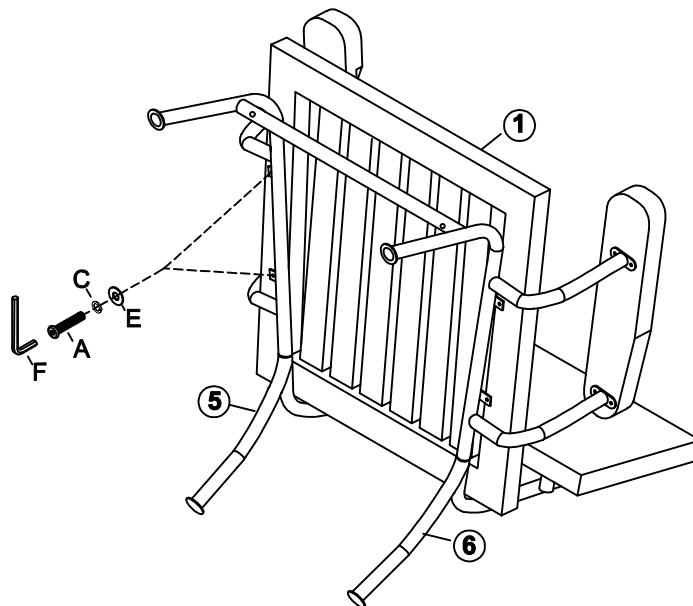
ASSEMBLY INSTRUCTION

ITEM: 23475

STEP 3



STEP 4



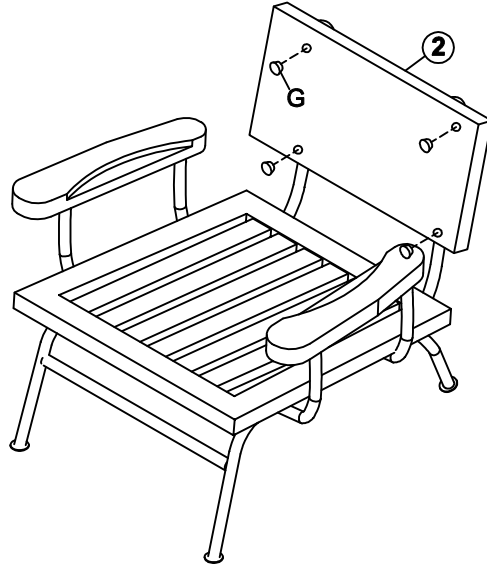


UTTERMOST

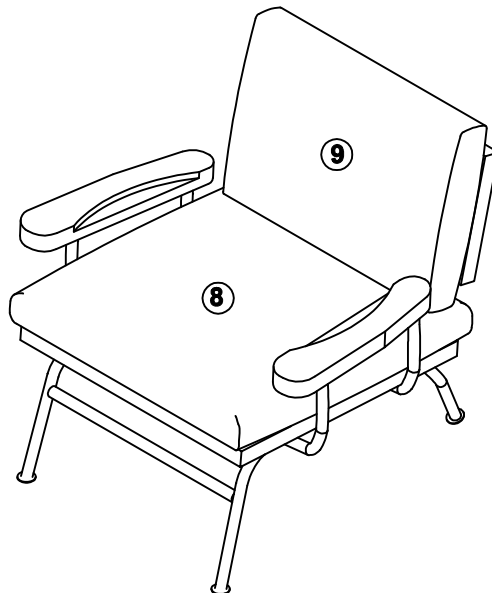
ASSEMBLY INSTRUCTION

ITEM:23475

## STEP 5



## STEP 6



To avoid wobbly product , please follow below steps to assemble:

- 1) Attach the legs.Do not completely tighten the bolts that hold the legs.
- 2) Set the chair on the floor to level and then finish tightening the leg bolts.

PO BOX 558/3325 GRASSY HILL RD . ROCKY MOUNT.VIRGINIA 24151

[www.uttermost.com](http://www.uttermost.com)