



UTTERMOST

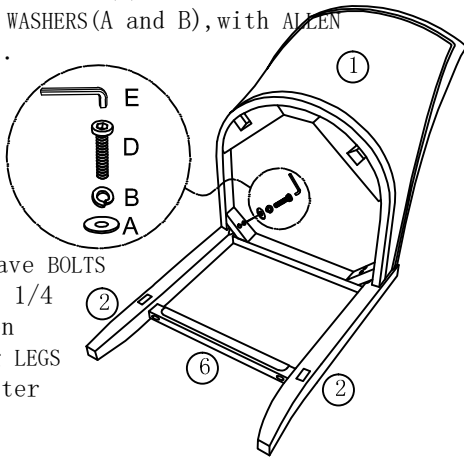
ASSEMBLY INSTRUCTION

ITEM: 23465

PARTS LIST

NO	DRAWING	PARTS NAME	Q'TY	NO	PARTS NAME	DRAWING	Q'TY
A		FLAT WASHER 5/16"X 3/4"	8PCS	1	SEAT FRAME		1PC
B		LOCK WASHER 5/16"	8PCS	2	FRONT LEG		2PCS
C		BOLTS DIA 5/16"X2"	4PCS	3	BACK LEG		2PCS
D		BOLTS DIA 5/16"X2-1/4"	4PCS	4	LEFT SIDE STRETCHER		1PC
E		ALLEN WRENCH 5/16"	1PC	5	RIGHT SIDE STRETCHER		1PC
F		WOOD SCREW 1-3/4"	8PCS	6	FRONT STRETCHER		1PC
				7	BACK STRETCHER		1PC

STEP 1 Place SEAT FRAME(1) upside down on a flat surface to assemble. Insert FRONT LEGS(2) into SEAT and secure using BOLTS(D), WASHERS(A and B), with ALLEN WRENCH(E).



NOTE: Leave BOLTS loose by 1/4 turn when securing LEGS until after STEP 3.

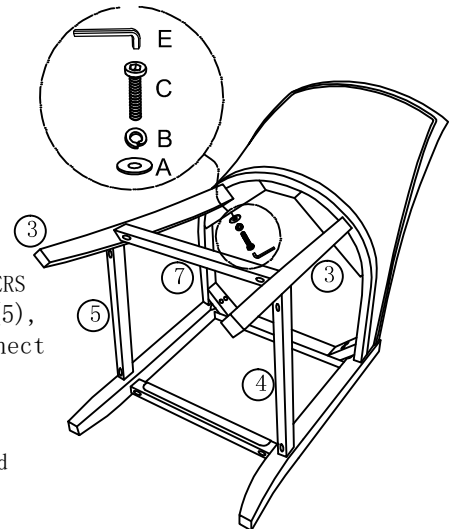
Insert FOOT REST(6) into holes to connect FRONT LEGS. DO NOT add WOOD SCREWS(F) until STEP 3

STEP 2 Insert BACK LEGS(3) into SEAT and secure using BOLTS(C), WASHERS(A and B) with ALLEN WRENCH(E).

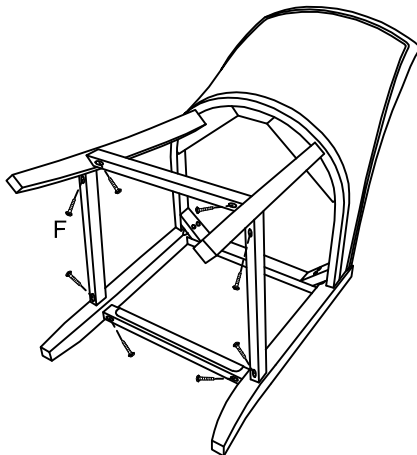
NOTE: Holes in FOOT REST and STRETCHERS will face upward during assembly.

Insert STRETCHERS LEFT(4), RIGHT(5), BACK(7) to connect FRONT, BACK LEGS.

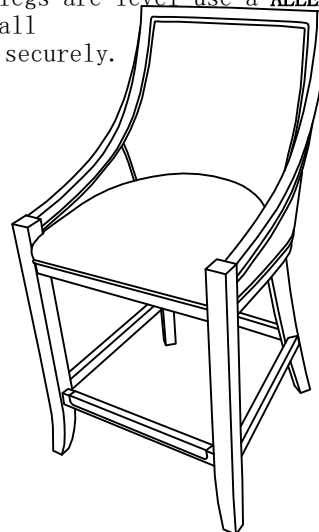
NOTE: DO NOT add WOOD SCREWS until STEP 3.



STEP 3 Using a PHILLIPS HEAD SCREWDRIVER and WOOD SCREWS(F) tighten all STRETCHERS securely. **DO NOT OVERTIGHTEN.**



STEP 4 Place stool upright on a level floor and press firmly down to even out the legs. Once legs are level use a ALLEN WRENCH to tighten all BOLTS(C, D) securely.



OVER TIME ASSEMBLY BOLTS MAY NEED TO BE RE-TIGHTENED AFTER USE