



UTTERMOST

ASSEMBLY INSTRUCTION

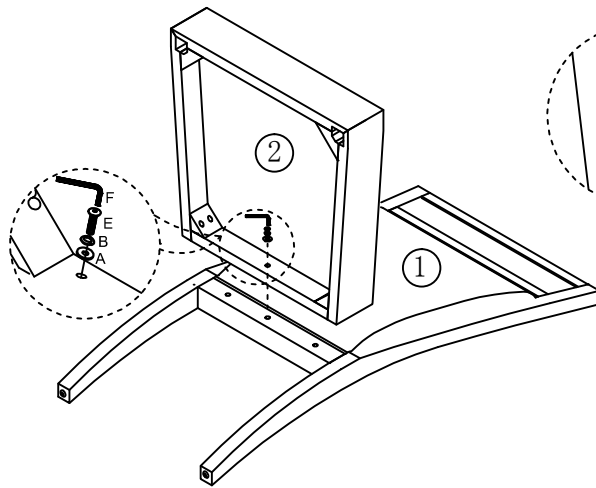
ITEM: 23440

PARTS LIST

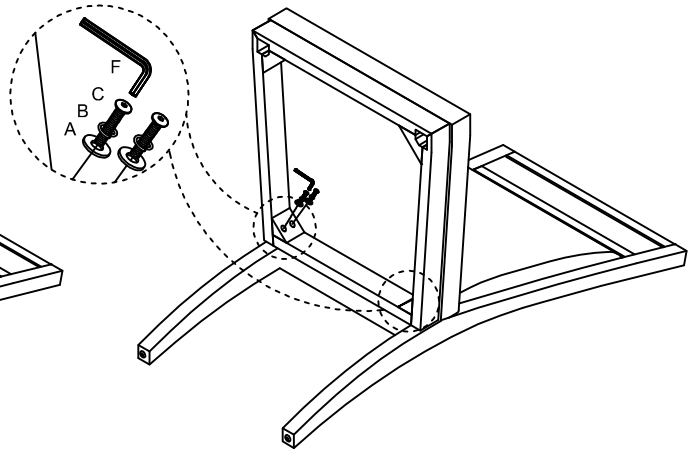
NO	DESCRIPTION	SKETCH	Q'TY	NO	DESCRIPTION	SKETCH	Q'TY
A	FLAT WASHER 5/16"X 3/4"		9PCS	1	CHAIR BACK		1PC
B	SPRING WASHER 5/16"		9PCS				
C	BOLTS DIA 5/16"X3"		4PCS	2	CUSHION		1PC
D	BOLTS DIA 5/16"X2"		4PCS				
E	BOLTS DIA 5/16"X1-3/4"		1PC				
F	ALLEN WRENCH 5/16"		1PC	3	FRONT LEG		2PCS

ASSEMBLY BOLTS MAY NEED TIGHTEND AFTER USE

STEP 1



STEP 2



STEP 3

