



UTTERMOST

ASSEMBLY INSTRUCTION

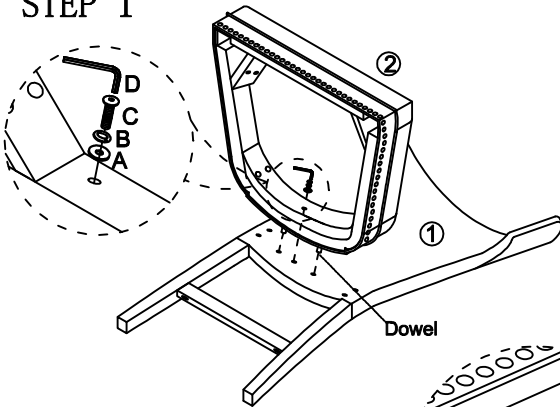
ITEM: 23433

PARTS LIST

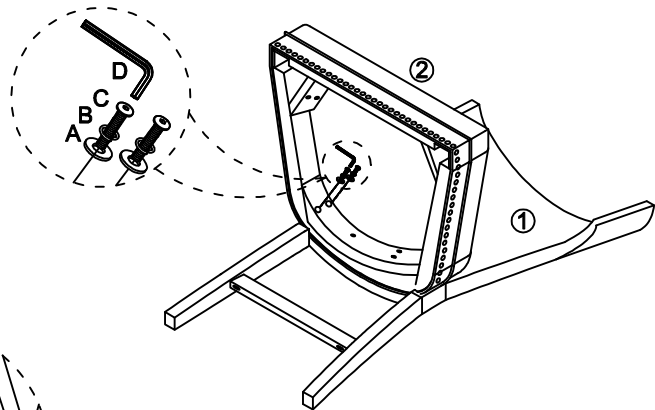
NO	DESCRIPTION	SKETCH	Q'TY	NO	DESCRIPTION	SKETCH	Q'TY
A	FLAT WASHER 5/16" * 3/4"		9PCS	1	COUNTER STOOL BACK		1PC
B	SPRING WASHER 5/16"		9PCS				
C	BOLTS DIA 5/16" * 2-1/2"		9PCS	2	CUSHION		1PC
D	ALLEN WRENCH 5/16"		1PC	3	LEFT STRETCHER		1PC
E	SCREW #8 * 1-1/2"		6PCS	4	RIGHT STRETCHER		1PC
				5	FRONT STRETCHER		1PC
				6	FRONT LEGS		2PCS

ASSEMBLY BOLTS MAY NEED TIGHTEND AFTER USE

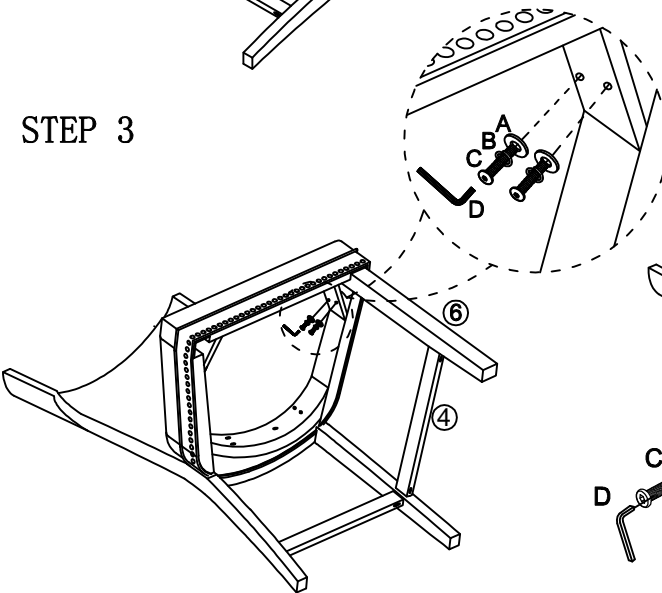
STEP 1



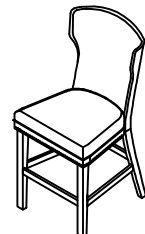
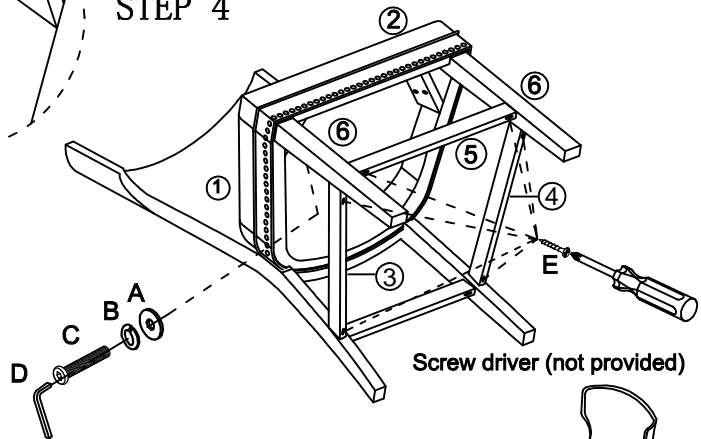
STEP 2



STEP 3



STEP 4



To avoid wobbly product and gaps between legs and stretchers, please follow below steps to assemble:

- 1) Attach the legs. Do not completely tighten the bolts that hold the legs.
- 2) Attached the stretchers. Completely tighten the screws that hold the stretchers.
- 3) Set the chair on the floor to level and then finish tightening the leg bolts