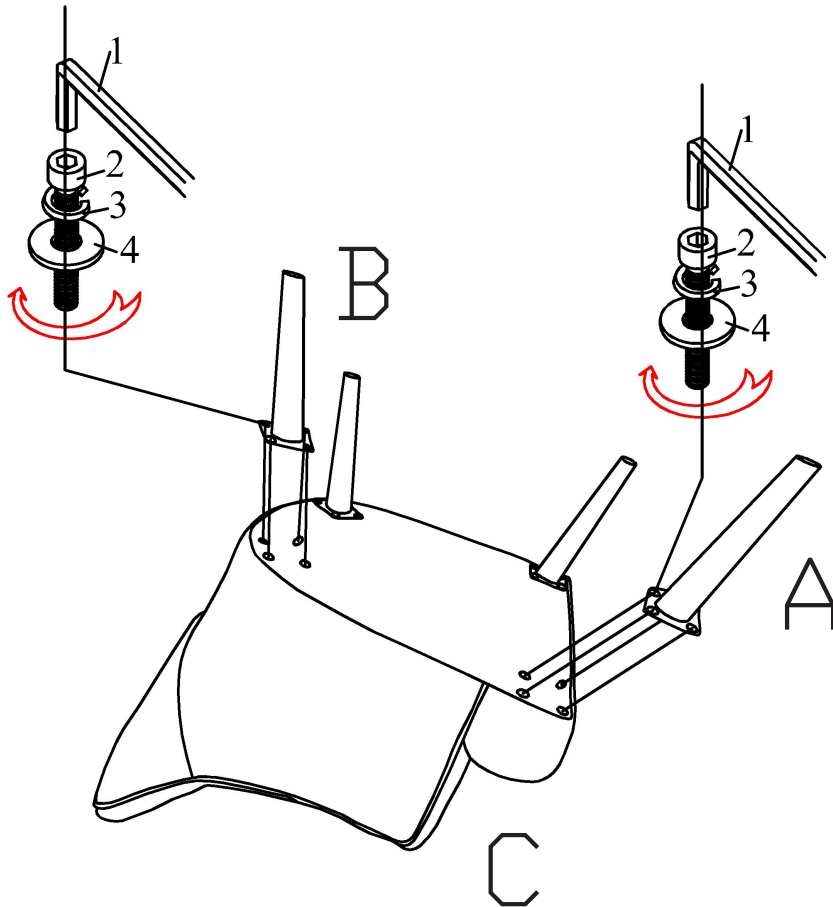




UTTERMOST

Assembly Instruction

23424



1. Take the parts carefully out of the carton, and place it on a flat surface, make sure that the parts will not be damaged.

2. Use the bolt and washer to secure the legs (A and B) to the seat (C)

Front leg (A) is longer than rear leg (B).

Hardware and tool included: wrench, bolt, spring washer, flat washer.

To Clean, wipe with soft dry cloth.