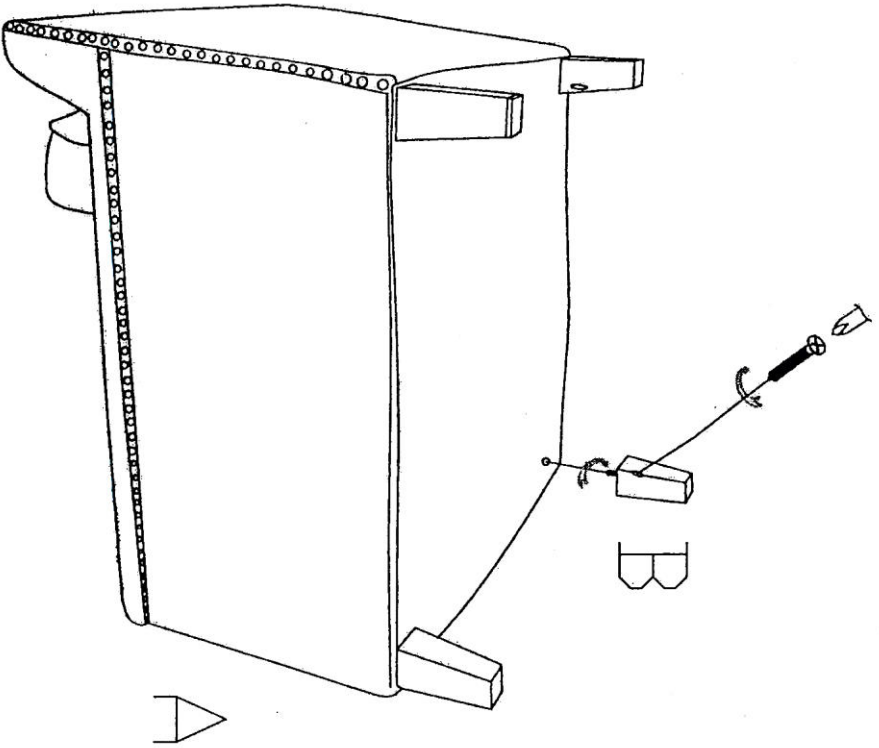




UTTERMOST

# Assembly Instruction

## 23381



1. Take the parts carefully out of the carton, and place it on a flat surface, make sure that the parts will not be damaged.
2. Use the screws to secure the legs (B) to the seat (A).

**Hardware and tool included: 4 screws.**

**To Clean, wipe with soft dry cloth.**

