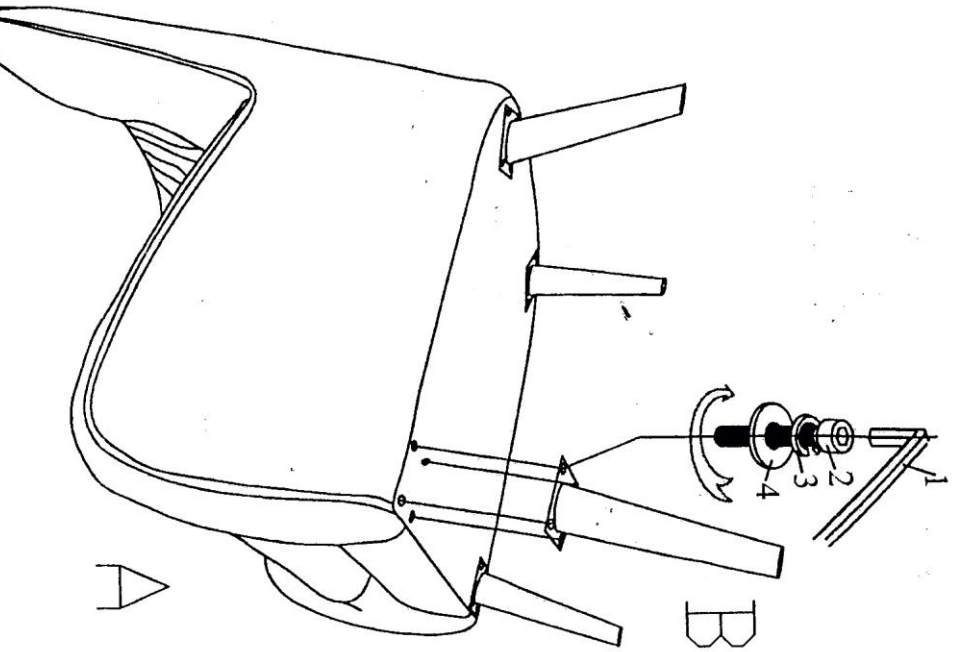




UTTERMOST

Assembly Instruction

23314



1. Take the parts carefully out of the carton, and place it on a flat surface, make sure that the parts will not be damaged.

2. Use the bolt and washer to secure the legs(B) to the seat(A).

Front legs is longer than rear legs.

Hardware and tool included: wrench, bolt, spring washer, flat washer.

To Clean, wipe with soft dry cloth.