



UTTERMOST

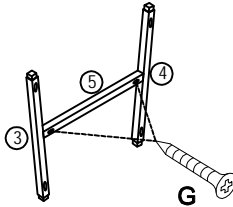
ASSEMBLY INSTRUCTION

ITEM: 23307

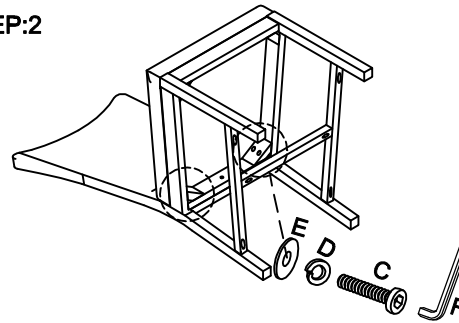
PARTS LIST

NO	DRAWING	PARTS NAME	Q'TY	NO	PARTS NAME	DRAWING	Q'TY
A		BOLTS DIA $\phi 1/4" * 2-1/2"$	4PCS	1	BACK FRAME		1PC
B		BOLTS DIA $\phi 1/4" * 1-3/4"$	1PC	2	SEAT CUSHION		1PC
C		BOLTS DIA $\phi 1/4" * 3-1/4"$	4PCS	3	LEFT SIDE STRETCHER		1PC
D		LOCK WASHER $\phi 1/4"$	9PCS	4	RIGHT SIDE STRETCHER		1PC
E		FLAT WASHER $\phi 1/4" * 3/4"$	9PCS	5	MIDDLE RING		1PC
F		ALLEN WRENCH $1/4"$	1PC	6	FRONT LEG		2PCS
G		WOOD SCREW $\#8 * 1-1/4"$	6PCS	<b>ASSEMBLY BOLTS MAY NEED TIGHTEND AFTER USE</b>			

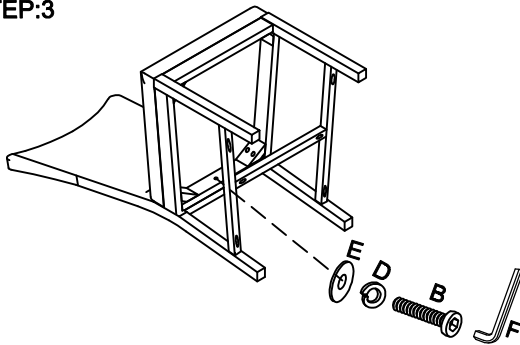
STEP:1



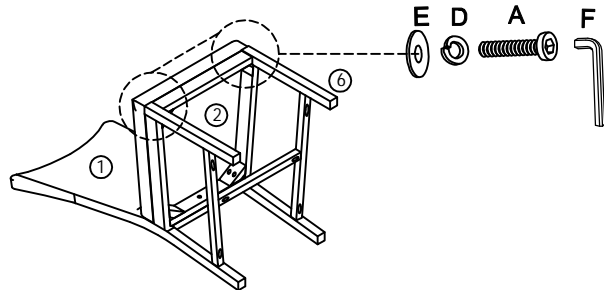
STEP:2



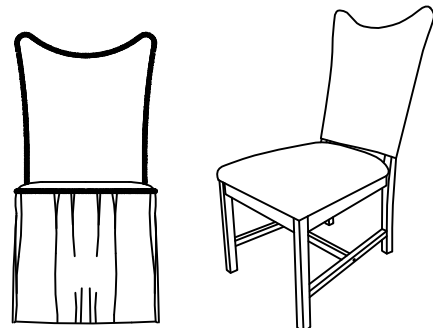
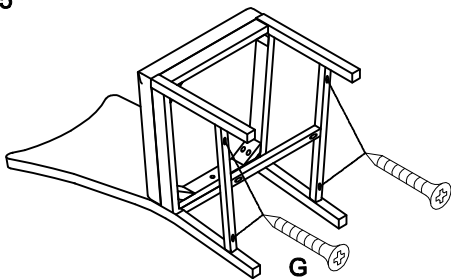
STEP:3



STEP:4



STEP:5



To avoid wobbly product and gaps between legs and stretchers, please follow below steps to assemble:

- 1) Attach the legs. Do not completely tighten the bolts that hold the legs.
- 2) Attached the stretchers. Completely tighten the screws that hold the stretchers.
- 3) Set the chair on the floor to level and then finish tightening the leg bolts