



UTTERMOST

ASSEMBLY INSTRUCTION

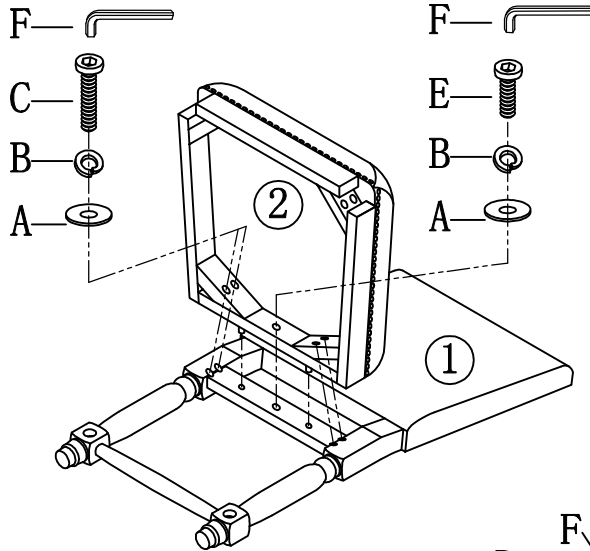
ITEM:23215

PARTS LIST

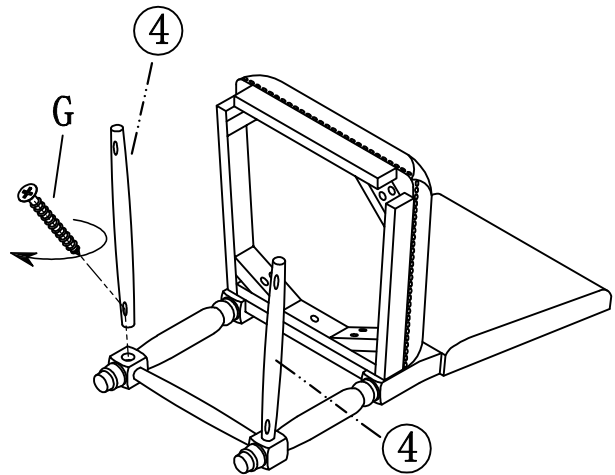
| NO | DESCRIPTION | SKETCH | Q'TY | NO | DESCRIPTION | SKETCH | Q'TY |
|----|------------------------|--------|------|----|-------------|--------|------|
| A | FLAT WASHER 5/16"*3/4" | | 9PCS | 1 | CHAIR BACK | | 1PC |
| B | SPRING WASHER 5/16" | | 9PCS | | | | |
| C | BOLTS DIA 5/16"*3-1/2" | | 4PCS | 2 | CUSHION | | 1PC |
| D | BOLTS DIA 5/16"*2-1/4" | | 4PCS | | | | |
| E | BOLTS DIA 5/16"*1-3/4" | | 1PC | 3 | LEG | | 2PCS |
| F | ALLEN WRENCH 5/16" | | 1PC | 4 | SIDE REST | | 2PCS |
| G | SCREW #8*1-1/2" | | 6PCS | 5 | FRONT REST | | 1PC |

ASSEMBLY BOLTS MAY NEED TIGHTEND AFTER USE

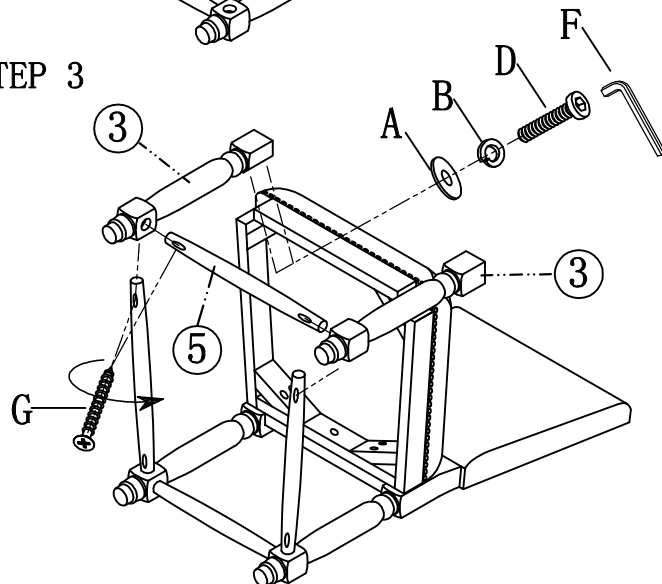
STEP 1



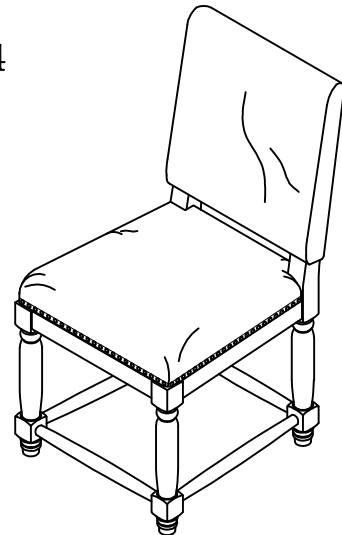
STEP 2



STEP 3



STEP 4



To avoid wobbly product and gaps between legs and stretchers, please follow below steps to assemble:

- 1) Attach the legs. Do not completely tighten the bolts that hold the legs.
- 2) Attached the stretchers. Completely tighten the screws that hold the stretchers.
- 3) Set the chair on the floor to level and then finish tightening the leg bolts