


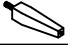



UTTERMOST

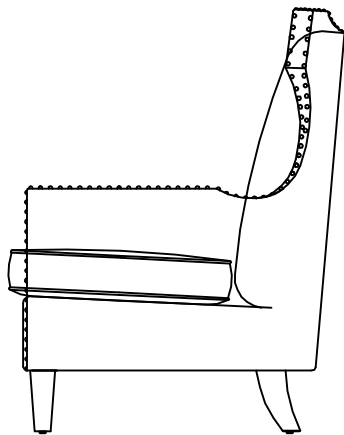
ASSEMBLY INSTRUCTION

ITEM: 23208

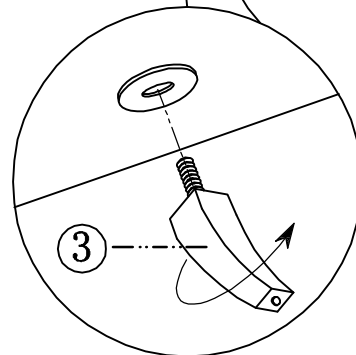
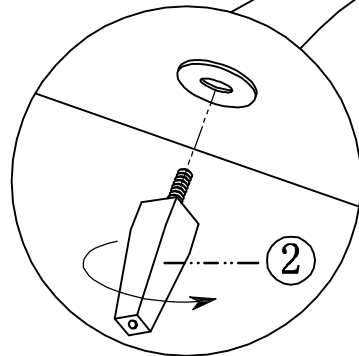
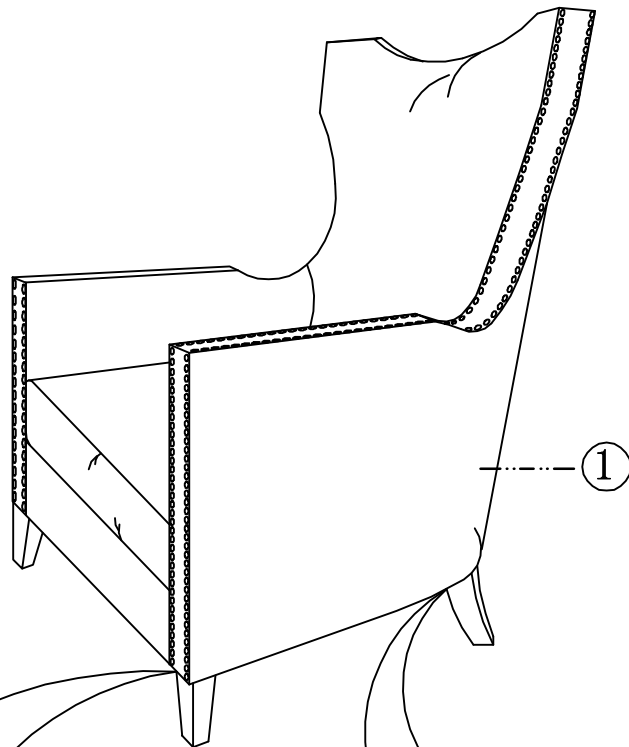
PARTS LIST

NO	SKETCH	DESCRIPTION	QTY
1	SEAT FRAME		1PC
2	FRONT LEG		2PCS
3	BACK LEG		2PCS

STEP 1



SIDE VIEW



PO BOX 558/3325 GRASSY HILL RD. ROCKY MOUNT, VIRGINIA 24151 WWW.UTTERMOST.COM