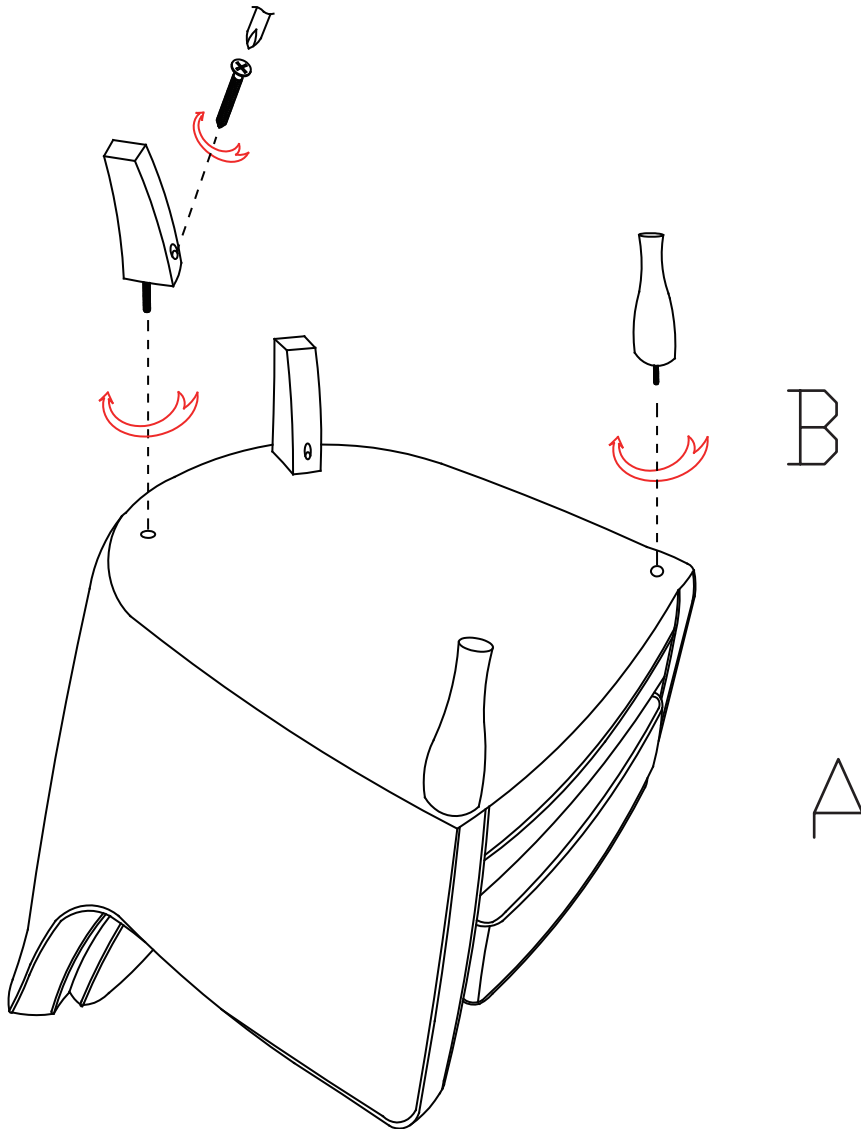




UTTERMOST

# Assembly Instruction 2257



**1. Take the parts carefully out of the carton, and place it on a flat surface, make sure that the parts will not be damaged.**

**2. Use the bolt and washer to secure the legs(B) to the seat(A)**

**Hardware and tool included: wrench, bolt, spring washer, flat washer.**

**To Clean, wipe with soft dry cloth.**