



UTTERMOST

ASSEMBLY INSTRUCTION

ITEM: 23174/23394

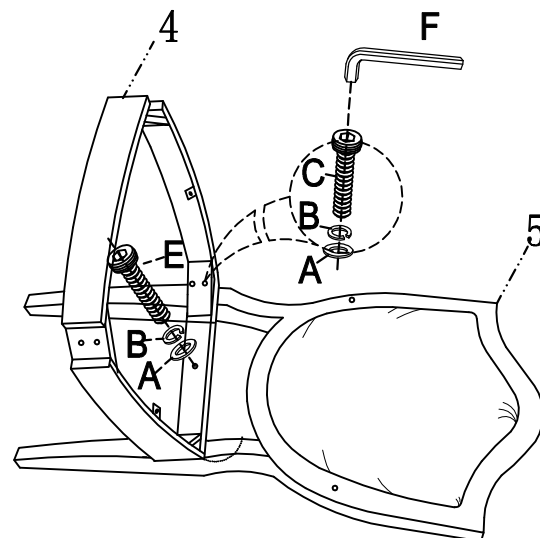
PARTS LIST							
NO	DESCRIPTION	SKETCH	QTY	NO	DESCRIPTION	SKETCH	QTY
A	FLAT WASHER 5/16"X 3/4"		9PCS	1	LEFT ACCENT		1PC
B	LOCK WASHER 5/16"		9PCS	2	RIGHT ACCENT		1PC
C	BOLTS DIA 5/16"X3"		4PCS	3	CUSHION		1PC
D	BOLTS DIA 5/16"X2-1/2"		4PCS	4	SEAT FRAME		1PC
E	BOLTS DIA 5/16"X1-1/2"		1PC	5	CHAIR BACK		1PC
F	ALLEN WRENCH 5/16"		1PC				
G	WOOD SCREW #8*5/8"		5PCS				
H	WOOD SCREW #8*1-1/2"		2PCS				

Note: Do not tighten until each step is completed or instructed.

STEP 1

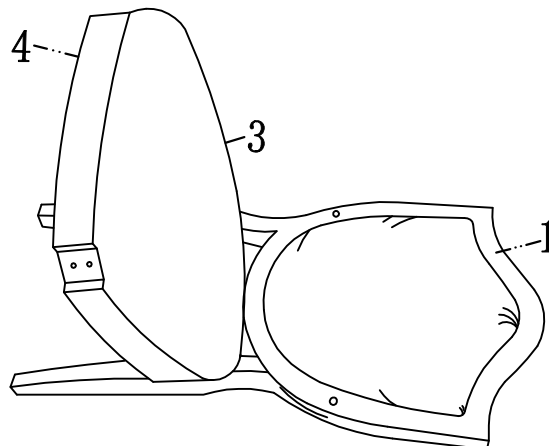
Place the chair back (5) on a protected surface. Align the seat frame (4) with the pre-drilled holes of the chair back (5). Insert the bolt (E) with flat washer (A) and lock washer (B) through the center hole of the seat frame (4) and secure the bolt by the Allen wrench (F) to lock it in with the chair back (5).

Insert the 2 bolts (C) with flat washer (A) and lock washer (B) through the two pre-drilled holes in the corner of the seat frame (4) and secure those bolts using the Allen wrench (F) to lock them in with the chair back (5). Repeat for other side.



STEP 2

Insert the seat cushion (3) into the seat frame (4). Make sure the seat cushion (3) is sitting on top of the brackets located on the inner side of the seat frame (4). The instructions for securing the seat cushion (5) is at Step 4.





UTTERMOST

ASSEMBLY INSTRUCTION

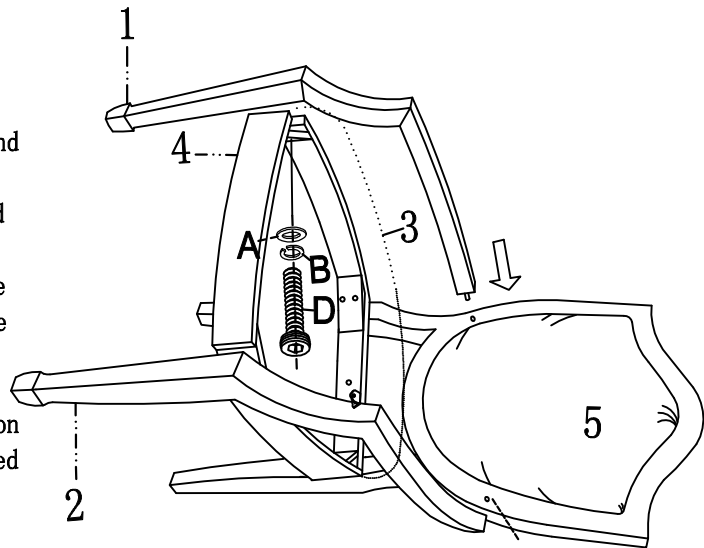
ITEM: 23174/23394

STEP 3

Align the left accent(1) to the pre-drilled holes of the chair back(5) and the seat frame(4).

Insert 2 bolts(D) with flat washer(A) and lock washer(B) from behind the seat frame(4) and secure those bolts using the Allen wrench(F) to lock them in with the leg of the left accent(1). Important note: Just fasten several rounds to hold them. Do not fully tighten. Then insert the tenon of the left accent(1) into the pre-drilled hole on the chair back(5). Keep the tenon in the hole and continue to fasten the bolts properly, do not fully tighten until the last step.

Repeat the process for the right accent(2).



STEP 4

Carefully turn the completed chair upright. Make sure the chair is rested on a flat surface and keep four legs are on same level. Then put the chair as right image to secure all bolts tighten enough.

Then secure the seat cushion (3) onto the bracket underneath the seat frame (4) with 5pcs wood screws(G) by using a Phillips screwdriver(not included) to lock it in with the seat cushion (3).

Then fix the arm end into the chair back with the wood screw(H) by a Philips screwdriver(not included).

