

UTTERMOST

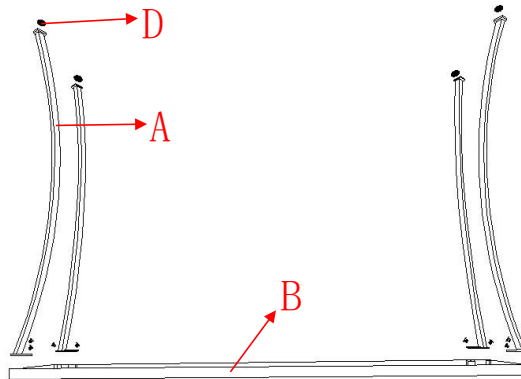
ASSEMBLY INSTRUCTIONS

Item :22910

Parts/Hardware list

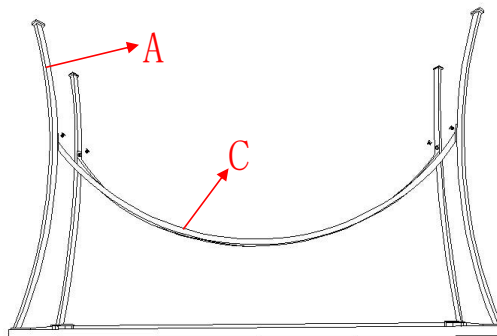
A	Legs	4 PCS	B	Top Frame	1 PC
C	Stretcher	1 PC	D	Felt Pad	4 PCS
E	Top Tempered Glass	1 PC	F	Screws	12 PCS

1. Take the parts carefully out of the carton, and place them on a flat and soft surface, making sure that the parts will not be damaged.
2. Assemble the Legs(A) on Top Frame(B) together using 8 Screws.
Please match color dot near screw holes.



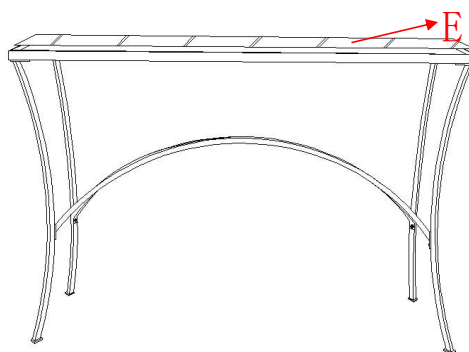
(1)

3. Assemble the Stretcher(C) on the Legs(A) together using 4 Screws.
Please match color dot near screw holes.
4. Stick the Felt Pads(D) on the bottom of the Legs(A).



(2)

5. Turn over the table top, place the Top Tempered Glass (E) on Top Frame(B).



(3)

To clean, wipe with soft dry cloth.

UTTERMOST ASSEMBLY INSTRUCTIONS

1. To avoid table tipping over, please read all instructions carefully and completely before beginning use.
2. Save all packing materials until table is secured on wall to avoid accidentally discarding any parts or hardware.

Part and hardware list

A	B	C	Tool needed but not supplied
Metal Bracket	2" Screw	Plasti c	Pencil-one pc, tape measure-one pc, screw driver pc,
1PC	1PC	1PC	

Anti- tipping Instructions

1. Use a pencil to mark desired location for screw on wall. The location must be 1 inch lower than the height of sawtooth which is located at the center-back of the table frame. Locate the metal bracket (A) on the wall and attach it
2. Place table near wall. Then lace the end of plastic strap (C) through the large hole of the metal bracket pre-mounted on the wall and the small oblong slit

