



UTTERMOST

ASSEMBLY AND INSTALLATION INSTRUCTIONS

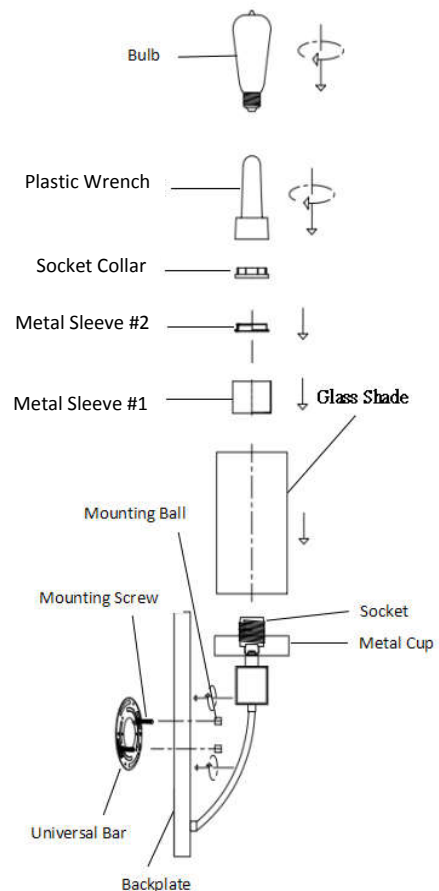
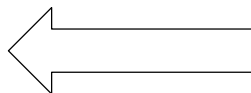
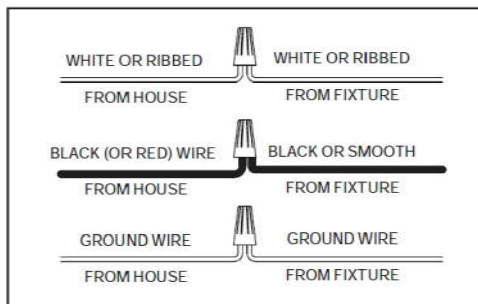
STYLE# **22523**

WARNING: TO AVOID RISK OF ELECTRICAL SHOCK, BE SURE TO SHUT OFF POWER BEFORE INSTALLING OR SERVICING THIS FIXTURE.

Carefully unpack all lamp parts from carton. We suggest a licensed electrician for all fixture installations.

1. Take the lamp carefully out of the Carton, and place on a flat surface.
2. Be sure power to the installation point is OFF.
3. Pull the power supply wire out from the outlet box and mount the **Universal Bar** to the outlet box with **Mounting Screws**.
4. Connect the wire as shown.
 - a. Connect the House Ground Wire to the Fixture Ground Wire, secure with wire nut.
 - b. Connect the House White (or Ribbed) Wire to the Fixture Supply Wire (White or Ribbed Side), secure with wire nut.
 - c. Connect the House Black (or Red) Wire to the Fixture Supply Wire (Black or Smooth Side), secure with wire nut.
 - d. Carefully stuff all of the connected wires into the Outlet Box.
5. Place the **Backplate** over the **Mounting Screws** and secure with **Mounting Balls**. Hand-tighten until snug.
6. Slide **Glass Shade** over socket and thread **Metal Sleeve #1** then **Metal Sleeve #2** onto **Socket**. Then use **Plastic Wrench** to lock the **Socket Collar** onto the socket to secure the **Glass Shade**. Tighten until snug.
8. Install the correct Bulb (**Edison Bulb** Included) into the **Socket** until snug.

Your installation is completed now. Restore electricity.



PO BOX 558/3325 GRASSY HILL RD. ROCKY MOUNT, VIRGINIA 24151

www.uttermost.com