

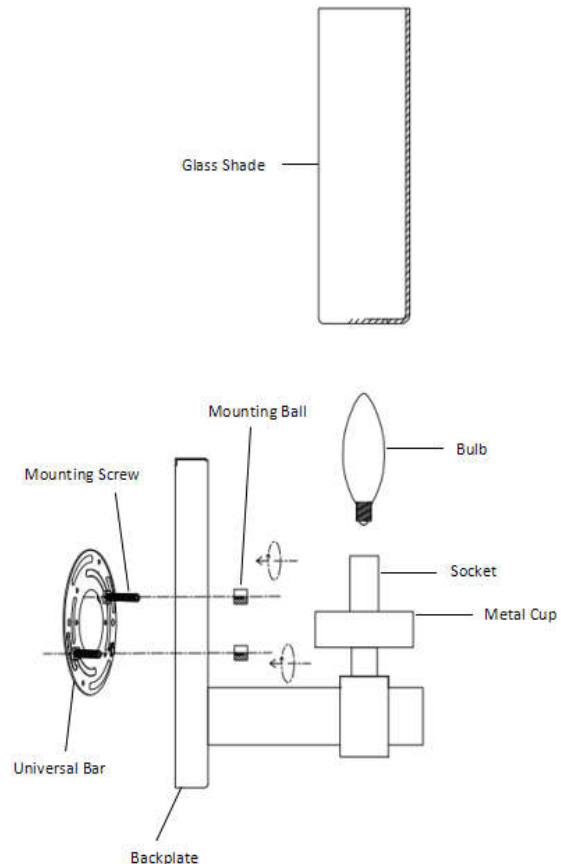
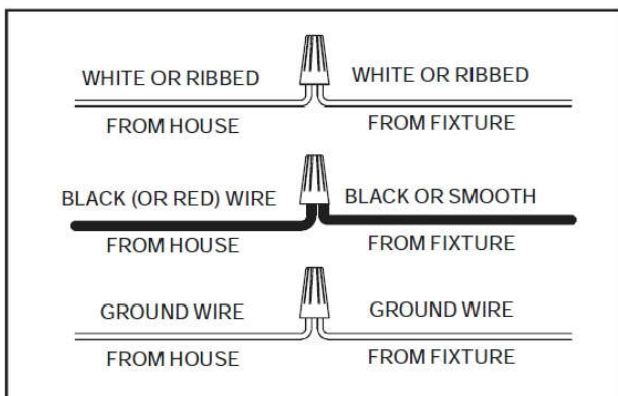
ASSEMBLY INSTRUCTIONS

ITEM # : **22521**

IMPORTANT : TURN OFF THE POWER AT THE MAIN FUSE OR CIRCUIT BREAKER BOX BEFORE STARTING INSTALLATION.

Carefully unpack and identify all parts before assembly.

1. Be sure the power to the installation point is off.
2. Pull the power supply wires out from the outlet box, and mount the **Universal Bar** to the outlet box with Outlet Box Screws.
3. Attach the power supply wires to the fixture lead wires by connecting black to black, and white to white. Attach the power supply ground wire from the outlet box and the fixture ground wire from the fixture to the green ground screw on the mounting bracket or connect both wires together using the correct size of wire connectors.
4. Align the Holes in the **Blackplate** with the **Mounting Screws** attached to the **Universal Bar**.
5. Pass the fixture over the **Mounting Screws** and secure againse by threading **Mounting Balls** onto end of Screw. Tighten until snug.
6. Install the Bulb referring to fixture markings and/or labels for maximun wattage on the Socket(No Included)
7. Place the **Glass Shade** carefully onto the **Metal Cup**.



22521