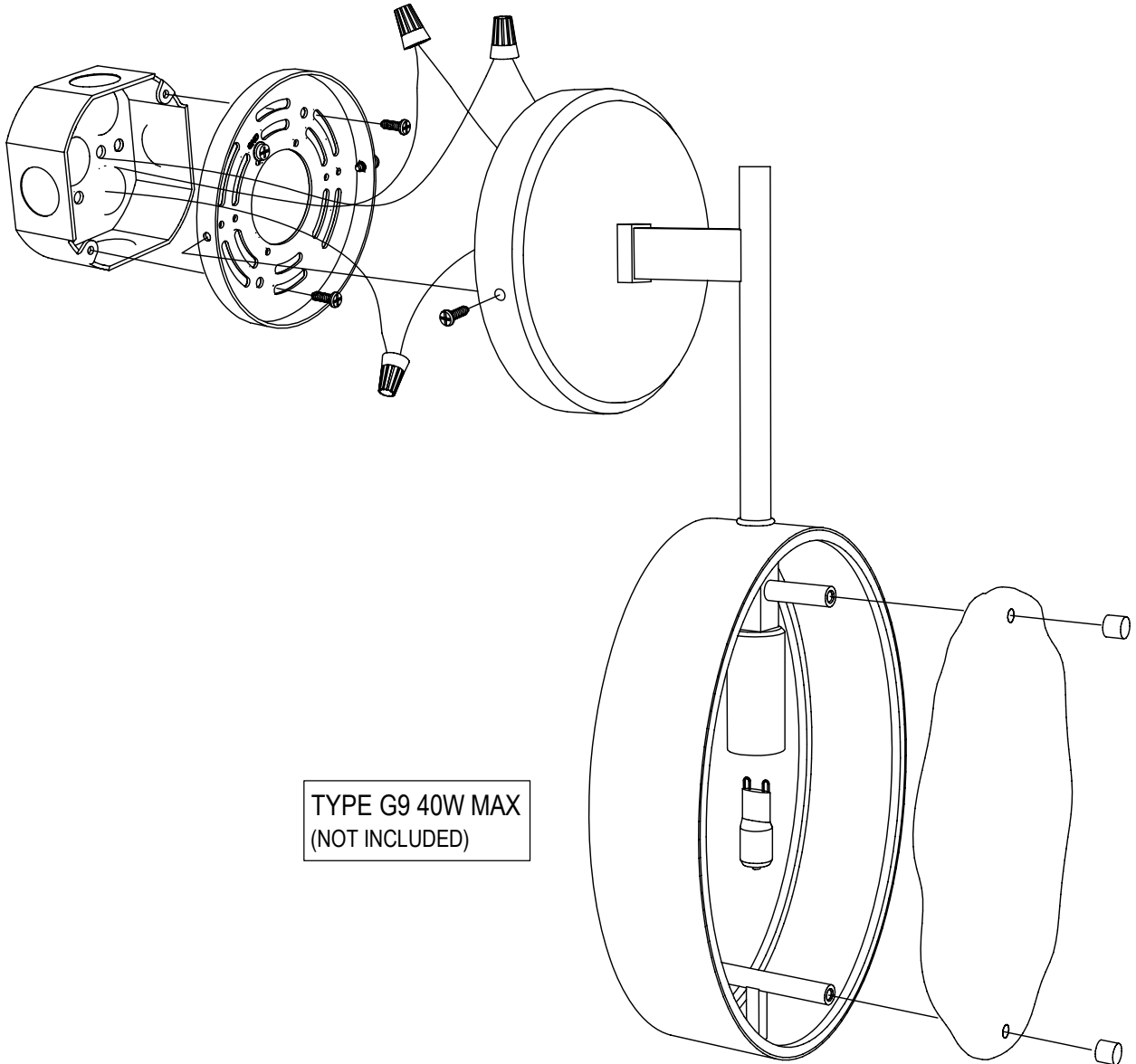


UTTERMOST

ASSEMBLY INSTRUCTIONS

22517



1. Install light bulbs and glass pieces.
2. Sconce can be mount up or down, align to your preference.

UTTERMOST

ASSEMBLY INSTRUCTIONS

FOR WALL MOUNT FIXTURE

NOTE: ALWAYS TURN POWER OFF BEFORE INSTALLING LIGHTING FIXTURES!
IMPORTANT: YOU SHOULD USE A QUALIFIED ELECTRICIAN TO INSTALL THIS FIXTURE.

Installation (see Fig.A)

1. Disconnect power at main electrical panel before installation.
2. Guide **fixture wires** through hole in center of **mounting plate**.
3. Follow wiring instructions carefully (listed below).
4. Attach **mounting plate** to **outlet box** using **box screws** provided with **outlet box**.
5. Mount fixture by aligning mounting holes in **canopy** with **mounting screws**. Tighten to firmly hold **canopy** in place against wall.

Wiring (see Fig.B)

1. Split the conductors of the **fixture wire** about 4 inches. Being careful not to expose any of the wire inside of the insulation.
2. Connect the **fixture ground wire** to the **outlet box ground wire** using **wirenut** (not provided). Connect **outlet box ground wire** to **mounting plate** with GREEN hex-head **ground screw** to tapped hole in **mounting plate** marked "GND".
3. Connect the half of the **fixture wire** that is white, marked, or has a ribbed surface to the **outlet box supply wire** (WHITE). Connect the other half of the **fixture wire** that is black, unmarked, or has a smooth surface to the **outlet box supply wire** (BLACK or RED). Use **wirenuts** provided.
4. Spread the electrical splices so that the black wire are on one side of the **outlet box** and the white wire are on the other side.

