



UTTERMOST

STYLE NO. :22483 Parts and Hardware List

A.	Mounting Plate	1PC
B.	Screw(8/32*1")	2PCS
C.	Screw(5/32*1")	2PCS
D.	Wire connector	3PCS
E.	Green ground screw	1PC
F.	Finials	2PCS

Please make sure that you have all the parts indicated before you begin assembling this item.

Please read Wiring instructions before you begin assembling and installing your Wall sconce.

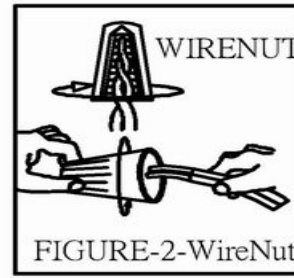
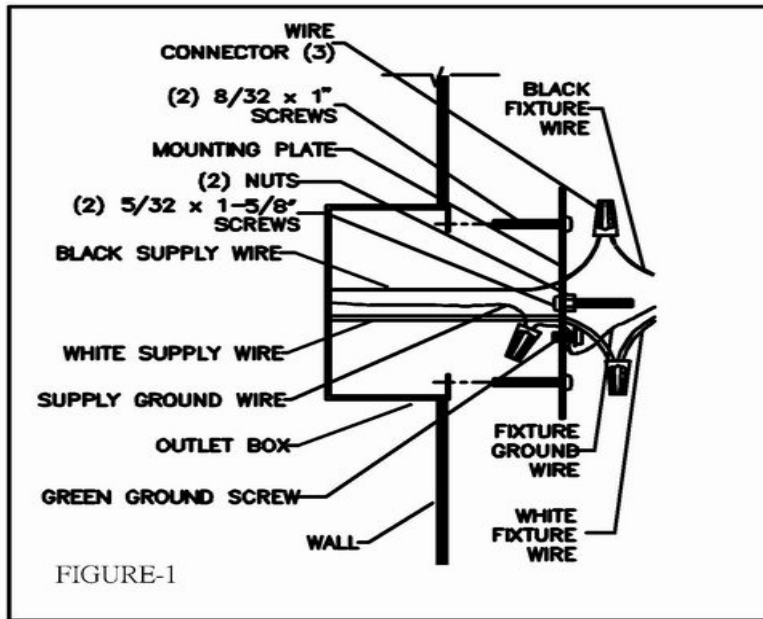
WARNING:BEFORE INSTALLING: make sure the electricity supply is shut off to avoid a possible electric shock.

Assembly Instruction

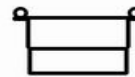
1. Take the parts carefully out of the carton, place them on a flat surface, and make sure that the parts will not be damaged.
2. Attach the Mounting plate to the Outlet box by using two 8-32 Screws. (See Figure 1)
3. Install the supply ground wire in the Mounting Plate with the Ground Green screw.
4. Place the null wire, black wire evenly against the white wire from the outlet box. And place the live wire, white wire evenly against the white wire from the outlet box. (Connecting the wires - See Figure 2)
5. After the wires are connected, carefully place them inside the Outlet Box (See Figure 1)
6. Attached the back plate (A) to the wall, then secure with finials (B) until tight.
7. Place the Seeded glass shade (C) into the Socket (D), then secure with Ring (E).
8. Place a type A 100 watt bulb (F) into the socket. (bulb not included)
9. And the assembly is complete.



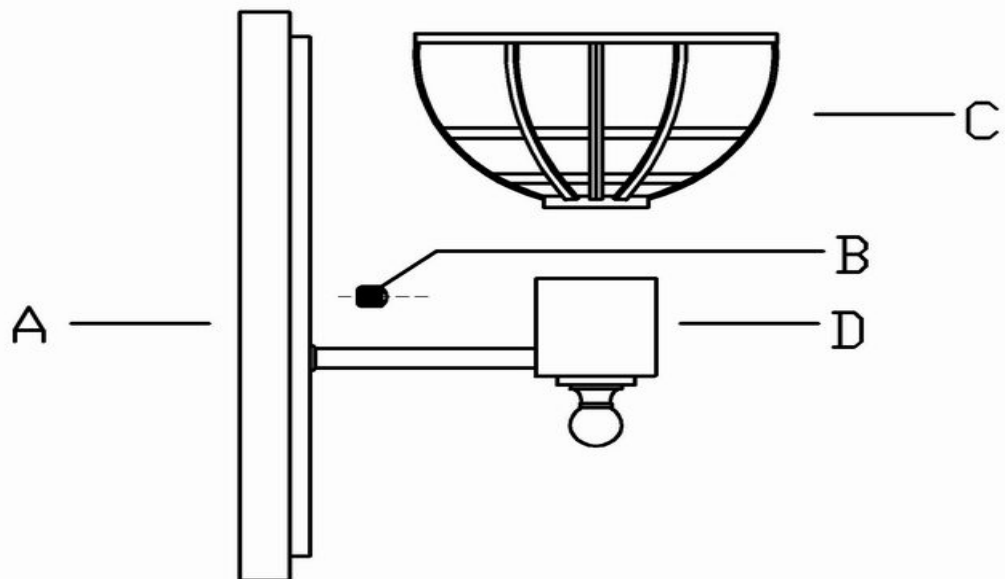
UTTERMOST



— F



— E



PO BOX 558/3325 GRASSY HILL RD. ROCKY MOUNT, VIRGINIA 24151
www.uttermost.com