



UTTERMOST

# ASSEMBLY AND INSTALLATION INSTRUCTIONS

STYLE#: **22185**

*Carefully unpack all lamp parts from the carton.*

1. Take the lamp carefully out of the Carton, and place it on a flat surface. Adjust the length of wire needed for your installation, remove excess

2. Be sure the power to the installation point is power off. And please follow the below three steps to assembly:

Step one: turn out the swivel socket and put the Metal shade onto the socket.

Step two: turn the Metal shade in the right position

Step three, Please follow up the steps as below:

3. Fasten the **Crossbar** to the **Canopy**. Thread **Mounting Ball** to secure it. Hand tighten until snug.

4. Pass the supply wires through the **Universal Bar** assembly, Secure the **Universal Bar** to the **Outlet Box with Outlet Box Screw**

5. Place the **Canopy** over the **Mounting Screws** and secure with **Mounting Balls**. Hand-tighten until snug.

6. Connect the wires as shown. a. Connect the House Ground Wire to the Fixture Ground Wire.

b. Connect the House White (or Ribbed) Wire to the Fixture Supply Wire (White or Ribbed Side).

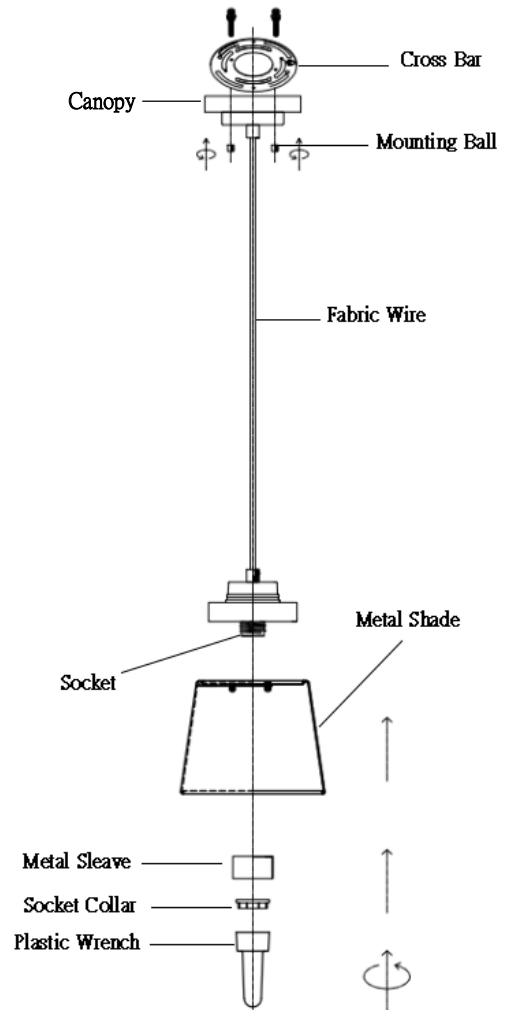
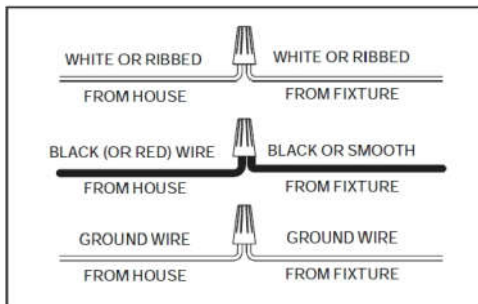
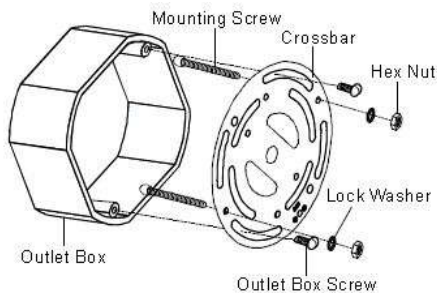
c. Connect the House Black (or Red) Wire to the Fixture Supply Wire (Black or Smooth Side).

d. Wrap each connection with approved electrical tape and carefully stuff all of the connected wires into the Outlet Box.

7. Thread the **Metal Sleeve** onto the **Metal Shade** and **Socket**. Then use **Plastic Wrench** to lock the **Socket Collar** to secure the **Metal Shade**. Hand tighten until snug.

8. Install the **Edison Bulb** (Included) into the **Socket** until snug.

**Your installation is completed now. Restore electricity.**



PO BOX 558/3325 GRASSY HILL RD. ROCKY MOUNT, VIRGINIA 24151

[www.uttermost.com](http://www.uttermost.com)