



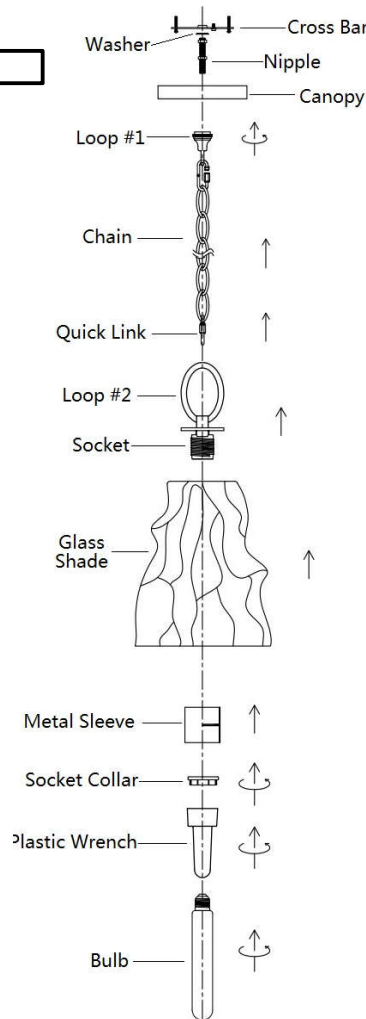
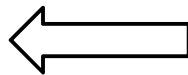
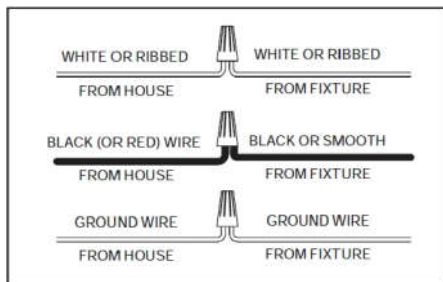
UTTERMOST

ASSEMBLY INSTRUCTIONS

STYLE# 22132

Carefully unpack all lamp parts from the carton.

1. Take the lamp carefully out of the Carton, and place it on a flat surface.
2. Be sure the power to the installation point is power off.
3. Fasten the **Cross bar** to the outlet box. Locate the **Nipple** and the **Washer**, then thread them into the center of the **Cross Bar**.
4. Secure the **Nipple** onto the **Canopy** with **Loop #1**.
5. Connect the **Chain** and **Loop #2** with the **Quick Link**.
6. Pass supply wire through **Loop #2** and **Quick Link**, then wind onto the **Chain** and thread from the center of the **Cross Bar**.
7. The power supply wire consists of three wires, one black wire, one white wire and one silver ground wire.
8. Connect the wires as shown:
 - A. Connect the House Ground Wire to the Fixture Ground Wire.
 - B. Connect the House White or Ribbed Wire to the Fixture Supply Wire (White or Ribbed Side).
 - C. Connect the House Black/Red Wire to the Fixture Supply Wire (Black or Smooth Side).
 - D. Wrap each connected wire with Wire Connector and carefully stuff all of the connected wires into the Outlet Box.
9. Place the **Glass Shade** carefully onto the **Socket**. Then thread the **Metal Sleeve** onto the **Socket**.
10. Lock the **Socket Collar** with a **Plastic Wrench** to secure the **Glass Shade** and the **Metal Sleeve**. Hand tighten until snug.
11. Install correct **Bulb** referring to fixture markings and/or labels for maximum wattage. (Bulb Included)



22132

PO BOX 558/3325 GRASSY HILL RD. ROCKY MOUNT, VIRGINIA 24151

www.uttermost.com