

# UTTERMOST

## ASSEMBLY INSTRUCTIONS

### STYLE#:22100

*Careful unpack all lamp parts from the carton.*

1. Take the lamp carefully out of the Carton, and place it on a flat surface.

2. Be sure the pc and please follow the below three steps to assembly:

Step one: turn out the swivel socket and put the glass shade onto the socket.

Step two: turn the glass shade in the right position

Step three, Please follow up the steps as below:

3. Determine the number of **Rods** to be assembled to the **Fixture Body** according to your hanging height.

Pass the Supply Wires with Ground Wire through the chosen **Rods and Swivel**. Thread the **Rods** to connect **Nipple#1** and **Nipple#2**. Hand tighten until snug.

4. Pass the supply wires through the **Universal Bar** assembly, Secure the **Universal Bar** to the **Outlet Box** with **Outlet I**

5. Place the **Ceiling Canopy** over the **Mounting Screws** and secure with **Mounting Balls**. Hand-tighten until snug.

6. Connect the wires as shown. a. Connect the House Ground Wire to the Fixture Ground Wire.

b. Connect the House White (or Ribbed) Wire to the Fixture Supply Wire (White or Ribbed Side).

c. Connect the House Black (or Red) Wire to the Fixture Supply Wire (Black or Smooth Side).

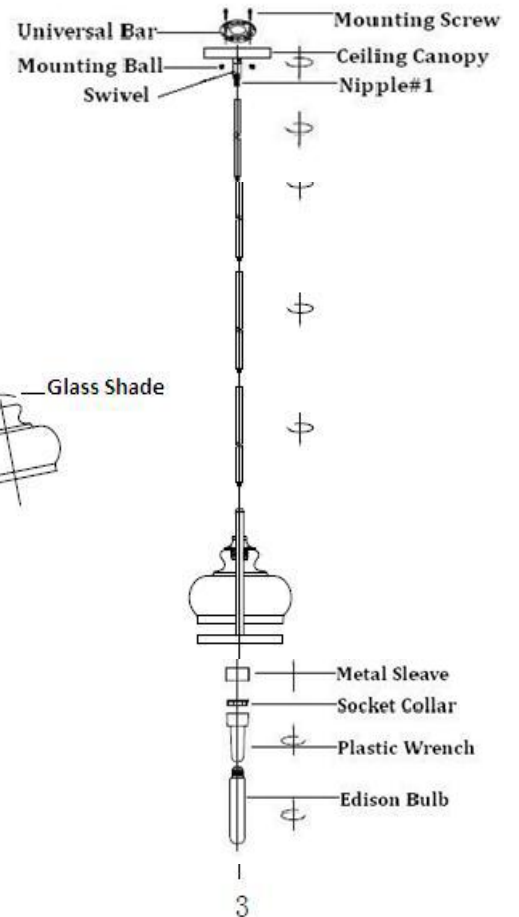
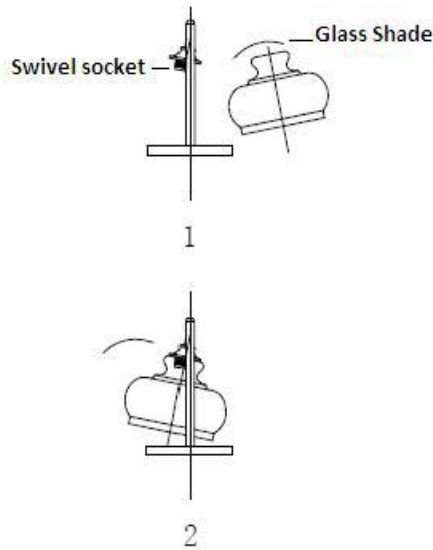
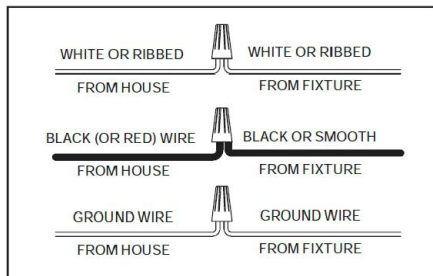
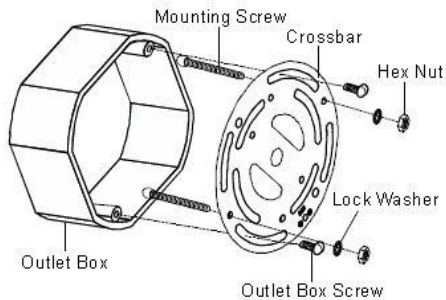
d. Wrap each connection with approved electrical tape and carefully stuff all of the connected wires into the Outlet Box.

7. Thread the **Metal Sleeve** onto the **Socket**. Then use **Plastic Wrench** to lock

the **Socket Collar** to secure the **Glass Shade**. Hand tighten until snug.

8. Install the **Edison Bulb** (Not Included) into the **Socket** until snug.

**Your installation is completed now. Restore electricit**



22100