



UTTERMOST

ASSEMBLY INSTRUCTIONS

STYLE# 22095

Careful unpack all lamp parts from the carton.

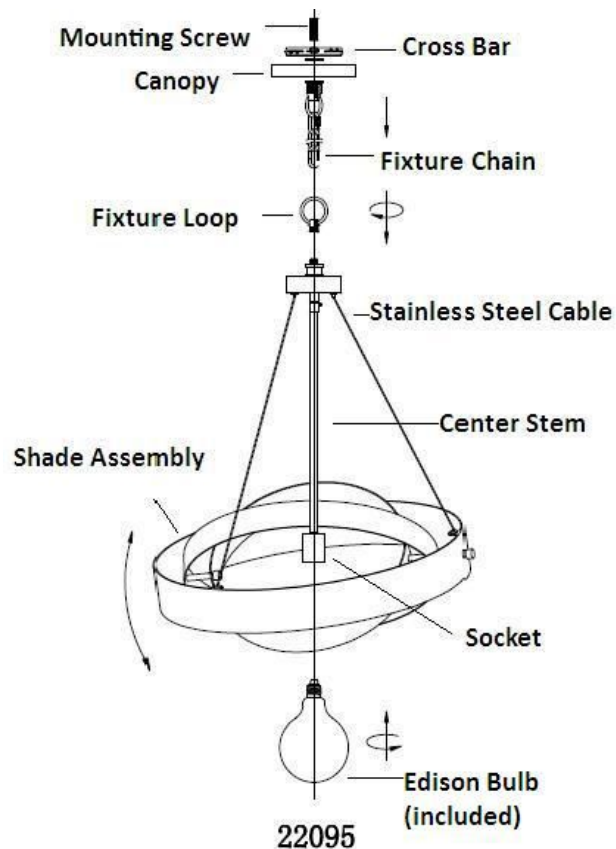
1. Take the lamp carefully out of the Carton, and place it on a flat surface.
2. Be sure the power to the installation point is power off
3. Fasten the **Mounting Screws** to the outlet box. Locate the **Mounting Screws** and thread into the center of the **Cross Bar**.
4. Locate the **Fixture Chain to the Canopy**

Pass the Fixture Supply Wire and Ground Wires through in the following order:

- 1) Alternate **Fixture Loops in the Fixture Chain**;
- 2) **Ceiling Canopy**. Finally, proceed to pass the fixture supply wires through the **Canopy** attached to the **Bar**.
7. Install proper **Edison bulbs** (included). See label located at socket area for type and maximum allowed wattage.

Your installation is completed now. Restore electricity.

Retain this sheet for future reference !



PO BOX 558/3325 GRASSY HILL RD. ROCKY MOUNT, VIRGINIA 24151
www.uttermost.com

