



ASSEMBLY INSTRUCTIONS

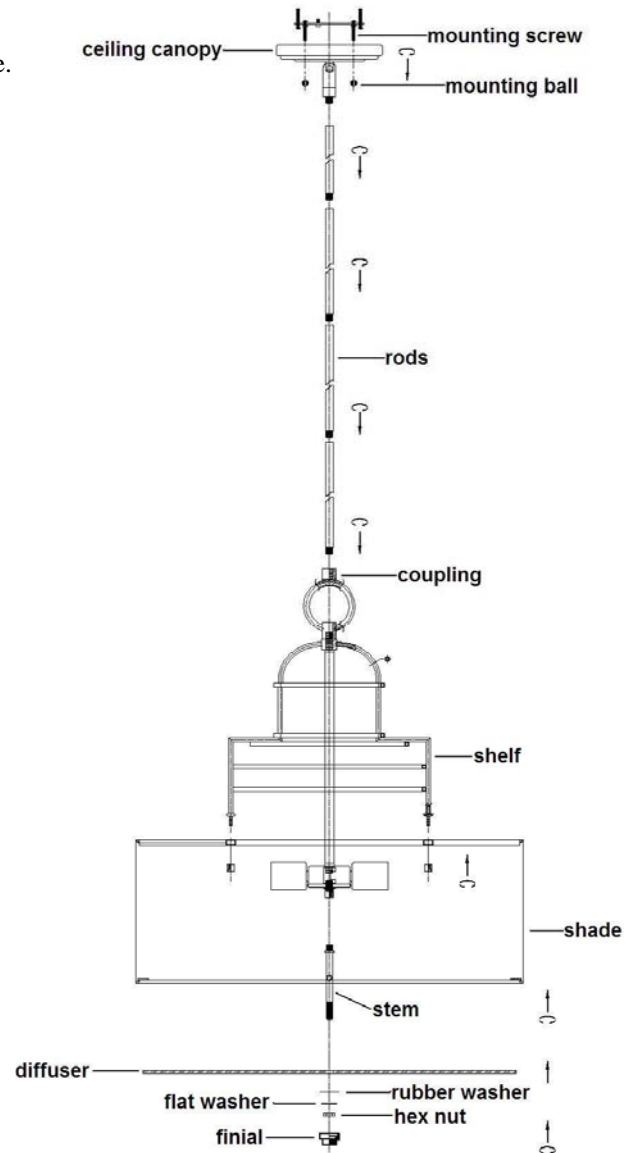
STYLE# 22021

Carefully unpack all lamp parts from the carton.

1. Take the lamp carefully out of the Carton, and place it on a flat surface.
2. Be sure the power to the installation point is power off
3. Thread the **Coupling** into the **Rods**.
4. Located the **Shade** over the end of the **Shelf** and thread the **Mounting balls** to secure it. Hand tighten until snug.
5. Thread **Stem** into the **coupling** underside of the socket cluster, Hand tighten until snug.
6. Place the **Ceiling Canopy** over the **Mounting Screws** and thread **Mounting Balls** onto the **Mounting Screws** to secure it, Hand tighten until snug.
7. Located the following components over the end of the **stem** in turn **Diffuser**, **Rubber washer**, **Flat washer**.
8. Thread the **Hex Nut** onto the end of the **Stem** and tighten until snug to secure the above parts, Proceed to thread **Finial** onto the end of the **Stem** and hand tighten until snug.
9. Refer to label on socket and install proper wattage bulb. (Not Included)

IMPORTANT SAFETY INSTRUCTIONS

This portable lamp has a polarized plug (one blade is wider than the other) as a safety feature to reduce the risk of electric shock. This plug will fit in a polarized outlet only one way. If the plug does not fit fully in the outlet, reverse the plug. If it still does not fit, contact a qualified electrician. Never use with an extension cord unless plug can be fully inserted. Do not attempt to defeat this safety feature.



22021

PO BOX 558/3325 GRASSY HILL RD. ROCKY MOUNT, VIRGINIA 24151
www.uttermost.com