

UTTERMOST

ASSEMBLY INSTRUCTIONS

STYLE NO.: 21635 PARTS LIST& HARDWARE LIST:

1	Canopy#1	1pc	8	Quick Link	2pcs
2	Canopy#2	1pc	9	5 Feet Chain	1pc
3	Universal Bar	1pc	10	Connecting Rod	3pcs
4	Outlet Box Screw(1-1/8")	2pcs	11	Ring #1	1pc
5	Green Ground Screw	1pc	12	Ring #2	3pcs
6	Thread Pipe	1pc	13	Ring #3	3pcs
7	Wire Connector	3pcs			

*Please make sure you have all the parts indicated above before you begin assembling this item. We suggest a professional electrician for all lighting fixture installations. Please read wiring instructions before you begin assembling and installing your Ceiling Lamp

WARNING: Before installing, make sure electricity supply is shut off to avoid a possible electric shock.

ASSEMBLY INSTRUCTIONS

The Fixture CAN install for Pendant or Flush Mounts

Option I PENDANT

1. Take the parts carefully out of the carton, Place them on a flat surface, and make sure the parts will not be damaged.
2. Fasten the Cross bar to the outlet box .Secure the Nipple onto the Canopy with Loop .
3. Wire go through the hole of Canopy#2, Adjust chain and wire length as needed, remove excess. Thread Quick Link into collar on the Canopy#1, then Quick Link into Ring#1 on the top of Pendant body. Hand tighten until snug. The ends of Connecting Rods hung into Ring#2 and Ring#3 correspondingly.
4. Pull the wire from the Canopy and then the center hole in the Cross Bar. The power supply wire consists of three wires, one black wire, one white wire and one green ground wire.
5. Connect the wires as shown :
 - A. Connect the House Ground Wire to the Fixture Ground Wire.
 - B. Connect the House White Wire to the Fixture Supply Wire (White).

UTTERMOST

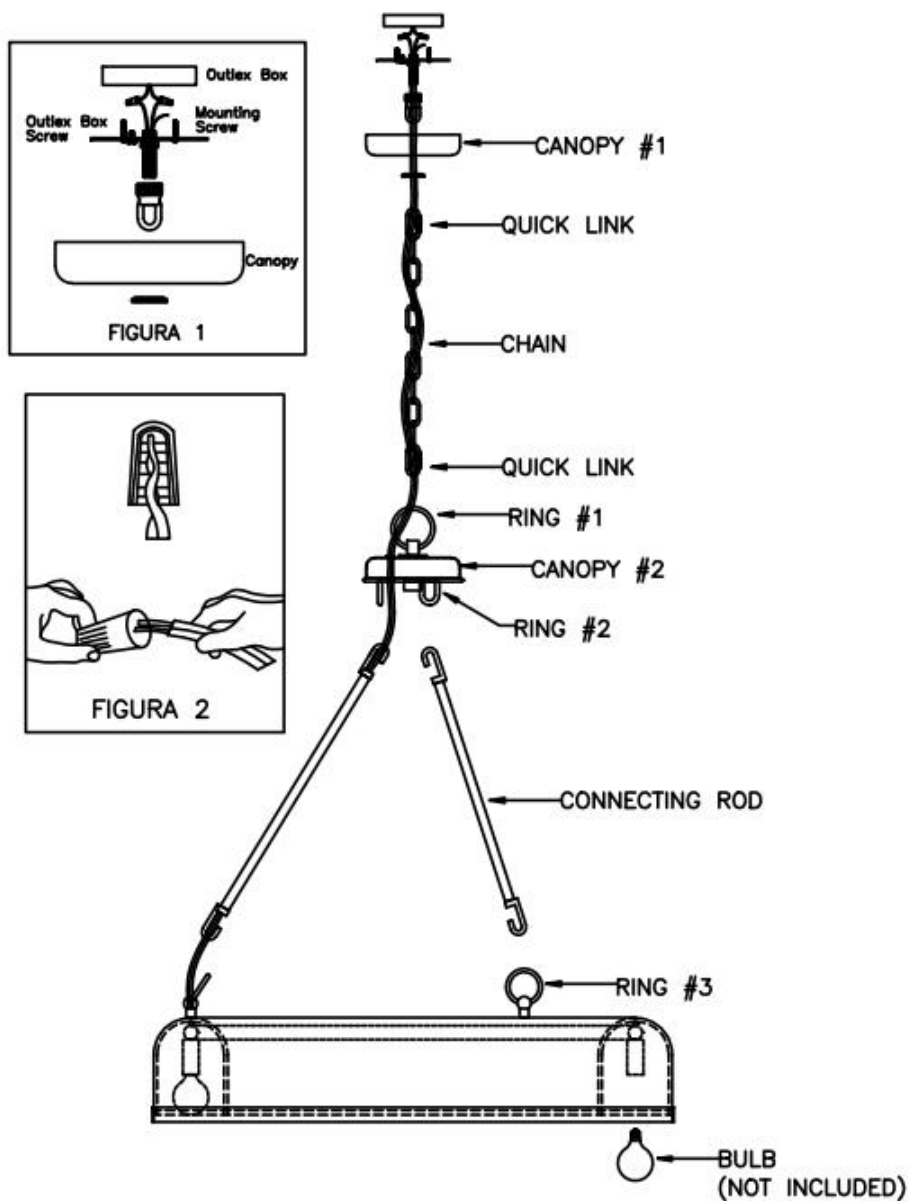
ASSEMBLY INSTRUCTIONS

C. Connect the House Black Wire to the Fixture Supply Wire (Black).

D. Wrap each connected wire with Wire Nut and carefully stuff all of the connected wires into the Outlet Box.

6. Install 9*40W, E12 bulbs (Type G) (Not Included) into the socket of the fixture.

DO NOT EXCEED THE MAXIMUM WATTAGE RATING!



UTTERMOST

ASSEMBLY INSTRUCTIONS

STYLE NO.: 21635 PARTS LIST& HARDWARE LIST:

1	Canopy#2	1pc	7	Nut	1pc
2	Universal Bar	1pc	8	Finial	1pc
3	Outlet Box Screw(1-1/8")	2pcs	9	Connecting Rod	3pcs
4	Green Ground Screw	1pc	10	Ring #2	3pcs
5	Thread Pipe	1pc	11	Ring #3	3pcs
6	Wire Connector	3pcs			

*Please make sure you have all the parts indicated above before you begin assembling this item. We suggest a professional electrician for all lighting fixture installations. Please read wiring instructions before you begin assembling and installing your Ceiling Lamp

WARNING: Before installing, make sure electricity supply is shut off to avoid a possible electric shock.

ASSEMBLY INSTRUCTIONS

Option II FLUSH MOUNTS

1. Take the parts carefully out of the carton, Place them on a flat surface, and make sure the parts will not be damaged.
2. Be sure power to the installation point is OFF.
3. Remove the finial under the Canopy#2, upside down Canopy#2. Screw the Mounting Screws into the Universal Bar place the Lock Washers over the Mounting Screws and thread the Hex Nuts onto the Mounting Screws as shown Secure the position of the Mounting Screws by tightening the Hex Nuts against the Universal Bar. Secure the Universal Bar to the Outlet Box with Outlet Box Screws. (See Figure 1)
4. Secure the Universal Bar to the Outlet Box with Outlet Box Screws.
5. Connect the wire as shown. (See Figure 2)
 - a. Connect the House Ground Wire to the Fixture Ground Wire, secure with wire nut.
 - b. Connect the House White (or Ribbed) Wire to the Fixture Supply Wire (White or Ribbed Side), secure with wire nut.

UTTERMOST

ASSEMBLY INSTRUCTIONS

c. Connect the House Black (or Red) Wire to the Fixture Supply Wire (Black or Smooth Side), secure with wire nut.

d. Wrap each connected wire with Wire Nut and carefully stuff all of the connected wires into the Outlet Box.

6. Place the Canopy onto Outlet Box aligning the hole in the Canopy with threaded on the Universal Bar and secure it against wall with Finial.

7. Raise fixture up, hang the ends of Connecting Rods into Ring#2 and Ring#3 correspondingly.

8. Install 9*40W, E12 bulbs (Type G) (Not Included) into the socket of the fixture.

DO NOT EXCEED THE MAXIMUM WATTAGE RATING!

