



UTTERMOST

## ASSEMBLY & INSTALLATION INSTRUCTIONS FOR #21535

Please read carefully and save these instructions, as you may need them at a later date.

### CAUTION

Turn off the main power at the circuit breaker before installing the fixture, in order to prevent possible shock.

### GENERAL

All electrical connections must be in accordance with local and National Electrical Code (N.E.C.) standards. If you are unfamiliar with proper electrical wiring connections obtain the services of a qualified electrician.

Remove the fixture and the mounting package from the box and make sure that no parts are missing by referencing the illustrations on the installation instructions.

### ASSEMBLY AND INSTALLATION

Carefully unpack all lamp parts from the carton.

1. Take the parts out of the mounting package and the fixture components then lay them on a clean, smooth and flat surface.
2. Pull out the POWER SUPPLY (6 & 8) from the OUTLET BOX (1) including the SUPPLY GROUND WIRE (5).
3. Pull out the HANGER FIXTURE CORD (15) and pass it through the center hole of the mounting bracket. Unravel the fixture lead wires inside the CORD (15) exposing the Black, white and green wires. Connect the BLACK LEAD WIRE (9) and WHITE LEAD WIRE (7) including the GREEN GROUND WIRE (4) to the POWER SUPPLY (6 & 8) & SUPPLY GROUND WIRE (5) using WIRE CONNECTOR (10).
4. Place all the wiring and connection in the OUTLET BOX (1). Attach the mounting bracket using OUTLET BOX SCREW (3) on each side of the OUTLET BOX (1).
5. Attach the canopy by inserting its two holes to the protruding two screws of the mounting bracket. Tighten by screwing the decorative nuts.
6. Insert the LAMP SOCKET (18) into the fixture's lamp socket holder. Use the SOCKET RING LOCK (17) to tighten.
7. Screw light bulb into the lamp socket (18) and make sure they do not exceed the maximum wattage rating specified on the fixture's wattage rating capacity. **MAXIMUM 60W.**
8. **INSTALLATION IS NOW COMPLETED**

FIG. 1

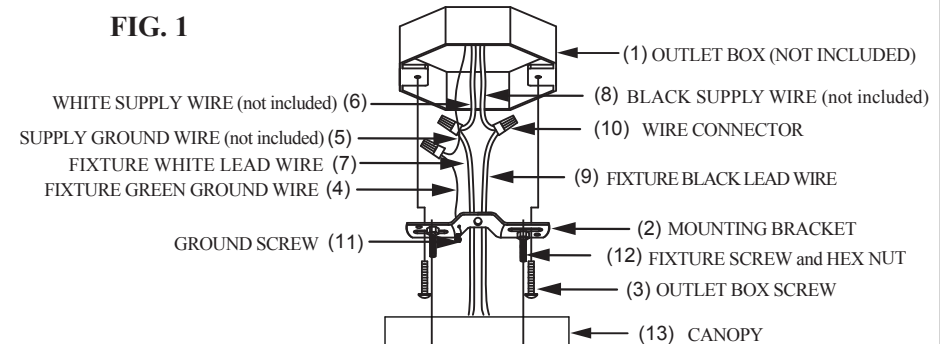


FIG. 2

