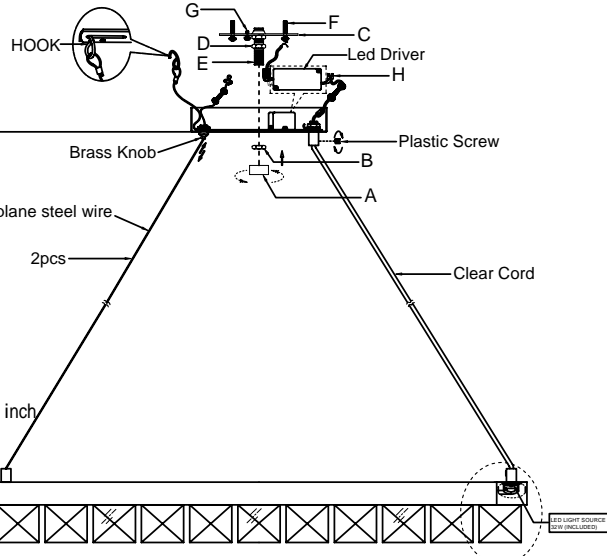


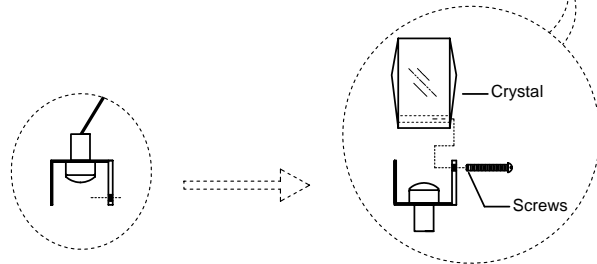
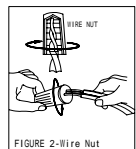
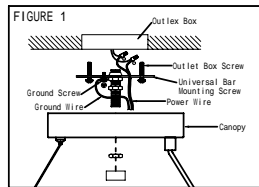
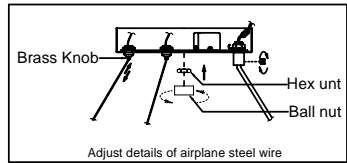
UTTERMOST

ASSEMBLY INSTRUCTIONS

ILLUSTRATION



STYLE NO.: 21407



UTTERMOST

ASSEMBLY INSTRUCTIONS

STYLE NO.: 21407

Parts and Hardware List

A.	Wheel	1PCS
B.	Hex nut	1PC
C.	Universal Bar	1PCS
D.	Hex nut	2PC
E.	Nipple	1PCS
F.	Outlet Box Screw	2PCS
H.	Wire Nut	4PCS

Please make sure that you have all the parts indicated before you begin assembling this item.

Please read Wiring Instructions before you begin assembling and installing your Ceiling Lamp.

WARNING: BEFORE INSTALLING, make sure the electricity supply is shut off to avoid a possible electric shock. We suggest a licensed electrician for all lighting fixture installations.

Assembly Instruction

1. Take the parts carefully out of the carton, place them on a flat surface, and make sure that the parts will not be damaged.
2. We have pre-set airplane wires 50 inches length below the canopy. Select the length you want for each airplane steel wire to suit your installation, adjust each airplane steel wire length by loosening the brass knob and pressing the screw down, remove excess airplane steel wires length, re-tighten brass knob after lengths are adjusted for install.
3. Adjust the clear cord length by removing the plastic screws to suit your installation, then secure plastic screws after length is adjusted for install.
4. Please connect Led driver wires, connect V+ to red (+); connect V- to black(-), **then wrap the wires with electrical tapes**. Install the ground wire in the Universal Bar(B) with the supplied Green Ground Screw(D).
5. Put the fixture upside down on a soft place, Assemble the crystals onto the fixture ring by threading the screws through the holes on the ring and crystal.
6. Place the null wire, ribbed wire evenly against the ribbed wire from the Outlet Box and place the live wire, smooth wire evenly against the smooth wire from the Outlet Box. (Connecting the Wires-See Figure 2)
7. After the wires are connected, tuck them carefully inside the Outlet Box. Attach the Canopy to the Universal Bar (B) and secure with two Hex Screws(A). (See Figure 1)

Dimming control compatibility: DIMMABLE WHEN USED WITH A LUTRON DVCL-153P-WH DIMMER