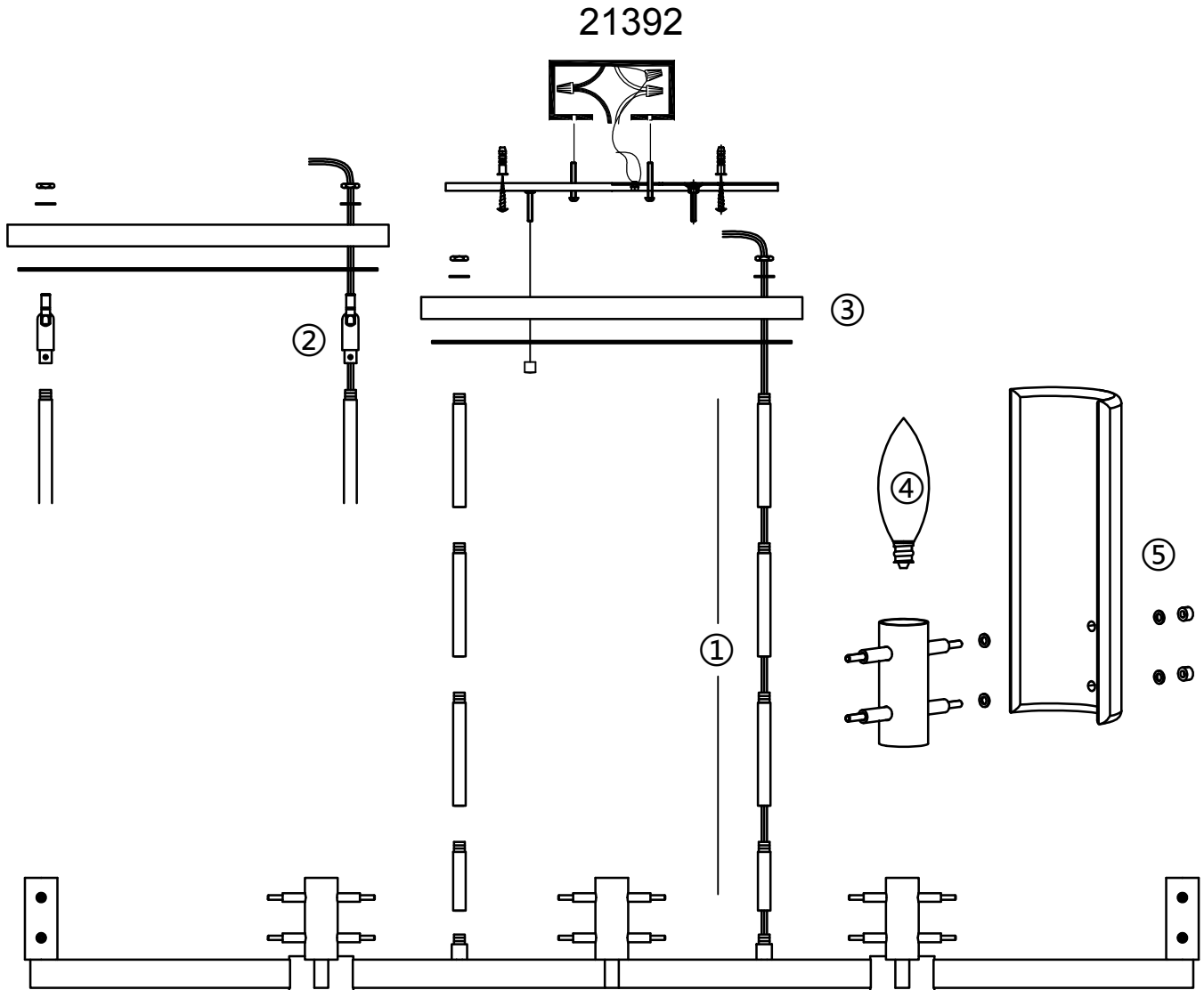


UTTERMOST

ASSEMBLY INSTRUCTIONS



ASSEMBLY INSTRUCTIONS

1. By measuring determine desired hanging height and thread rods (6"×1&12"×3) into top of all thread of fixture body. Carefully pass fixture wires through each rod as you assemble and tighten the rods in sequence.
2. Screw swivels to the top of rod. If you don't need swivels, you can ignore this step.
3. Place plate and canopy over nipple of rod (or swivels) and secure with washer and nut.
4. Install bulbs (not included) in accordance with the fixture specification.
5. Install glass to socket and secure with washers and nuts.
6. Refer to the instructions on the next page to install the lighting fixtures on the ceiling.

UTTERMOST

ASSEMBLY INSTRUCTIONS

NOTE: ALWAYS TURN POWER OFF BEFORE INSTALLING LIGHTING FIXTURES!

IMPORTANT: YOU SHOULD USE A QUALIFIED ELECTRICIAN TO INSTALL THIS FIXTURE.

Installation (see Fig.A)

1. Disconnect power at main electrical panel before installation.
2. Pull Supply Wires through larger hole in mounting plate (hole has smooth edge).
3. Attach Mounting Plate to Outlet Box using Box Screws provided with Outlet Box. For additional stability on longer fixtures, install Mounting Screws into appropriate Fasteners (Fasteners not provided).
4. Follow wiring instructions carefully (listed below).
5. Position Coverplate over Mounting Plate, aligning Studs with Coverplate holes and secure with Ballnuts.

Wiring (see Fig.B)

1. Split the conductors of the **fixture wire** about 4 inches. Being careful not to expose any of the wire inside of the insulation.
2. Connect the **fixture ground wire** to the **outlet box ground wire** using **wirenut** (not provided). Connect **outlet box ground wire** to **mounting plate** with **GREEN hex-head ground screw** to tapped hole in **mounting plate** marked "GND".
3. Connect the half of the **fixture wire** that is white, marked, or has a ribbed surface to the **outlet box supply wire (WHITE)**. Connect the other half of the **fixture wire** that is black, unmarked, or has a smooth surface to the **outlet box supply wire (BLACK or RED)**. Use **wirenuts** provided.
4. Spread the electrical splices so that the black wire are on one side of the **outlet box** and the white wire are on the other side.

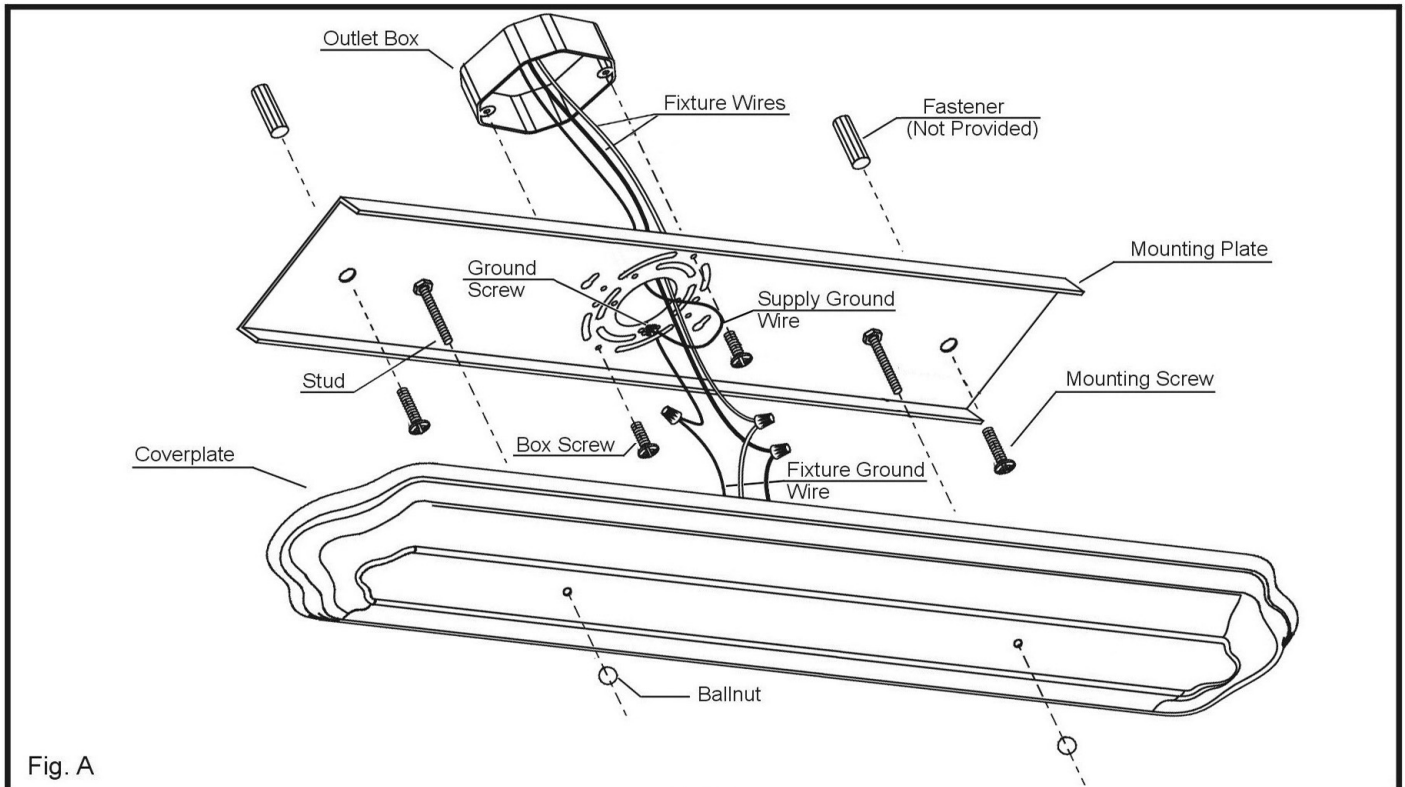


Fig. A

Fig. B
Grounding Detail

Connect Black or Red House Wire to:	Connect White House Wire to:
Black	White
Parallel cord - SPT I & II (round & smooth)	Parallel cord - SPT I & II (square & ridged)
Clear, Brown, Gold or Black (without tracer)	Clear, Brown, Gold or Black (with tracer)
Insulated Wire (Other than GREEN) with copper conductor	Insulated Wire (Other than GREEN) with silver conductor