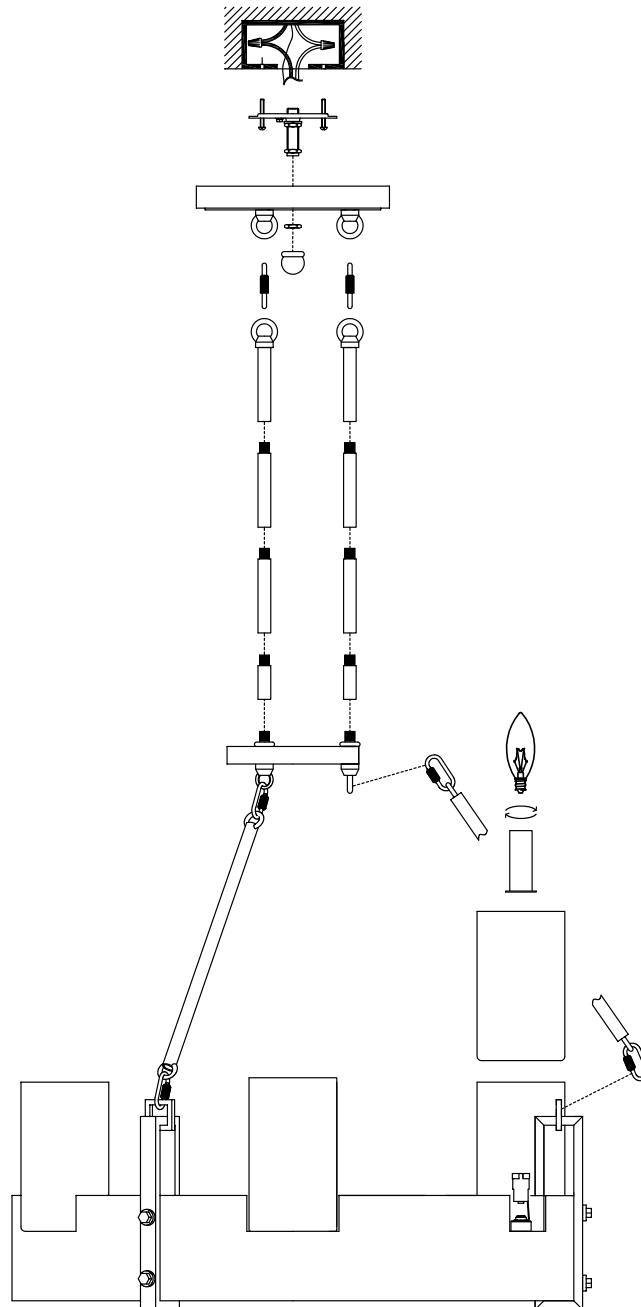




UTTERMOST

21319



ASSEMBLY INSTRUCTIONS

1. Connecting the wires refer the next page.
2. Adjust to required rod & wire length as needed for your ceiling height for installation, remove excess if needed, leaving enough for wiring connections.
3. Install glass shades, candle covers and light bulbs (not exceeding the maximum wattage).



UTTERMOST

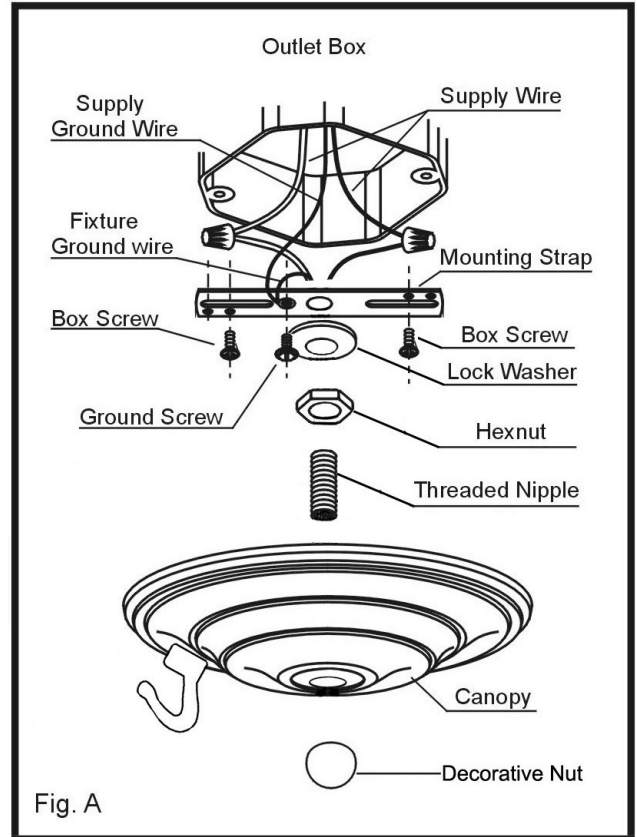
INSTALLATION INSTRUCTIONS

NOTE: ALWAYS TURN POWER OFF BEFORE INSTALLING LIGHTING FIXTURES!

IMPORTANT: YOU SHOULD USE A QUALIFIED ELECTRICIAN TO INSTALL THIS FIXTURE.

Installation (see Fig.A)

1. Disconnect power at main electrical panel before installation.
2. Thread the 1/8" IPS hex nut and lock washer onto the nipple, and screw the nipple into the mounting strap, without tightening the hex nut. (Fig.A)
3. Pull the supply wires out from the outlet box, and mount the mounting strap or the universal mounting plate to the outlet box, using box screws.



Wiring (see Fig.B)

4. Split the conductors of the fixture wire about 4 inches. Being careful not to expose any of the wire inside of the insulation.
5. Connect the fixture ground wire and the outlet box ground wire to mounting strap with GREEN hex-head ground screw to tapped hole in mounting strap marked "GND".
6. Connect the half of the fixture wire that is white, marked, or has a ribbed surface to the outlet box supply wire (WHITE). Connect the other half of the fixture wire that is black, unmarked, or has a smooth surface to the outlet box supply wire (BLACK or RED). Use wirenuts provided.
7. Spread the electrical splices so that the black wire are on one side of the outlet box and the white wire are on the other side.
8. Place the canopy on the fixture over the outlet box and onto the nipple, and adjust the nipple until they protrude out from the canopy. Remove the canopy and secure the position of the nipple by tightening the hex nut against the mounting strap. Place the canopy back onto the nipple, and secure into place using the decorative nuts.

Fig. B

Connect Black or Red House Wire to:	Connect White House Wire to:
Black	White
Parallel cord - SPT I & II (round & smooth)	Parallel cord - SPT I & II (square & ridged)
Clear, Brown, Gold or Black (without tracer)	Clear, Brown, Gold or Black (with tracer)
Insulated Wire (Other than GREEN) with copper conductor	Insulated Wire (Other than GREEN) with silver conductor