



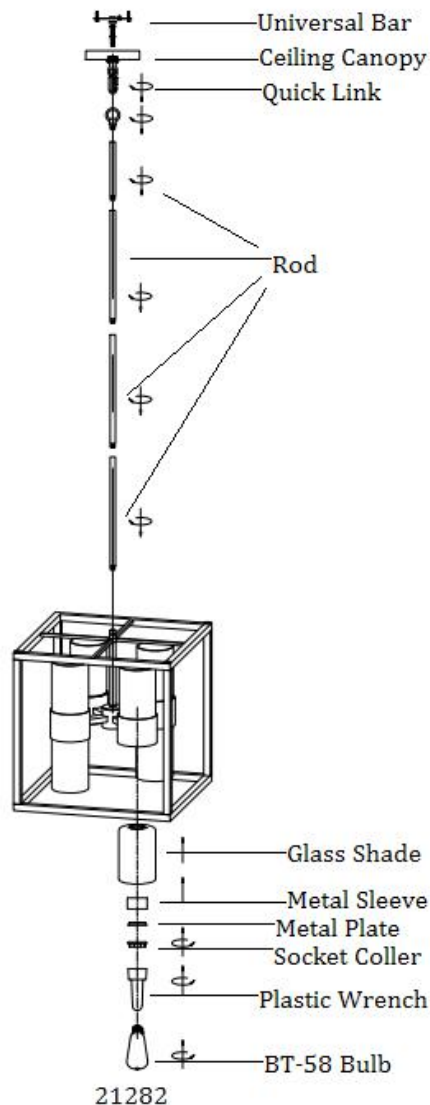
UTTERMOST

ASSEMBLY INSTRUCTIONS

STYLE# 21282

Carefully unpack all lamp parts from the carton.

1. Take the lamp carefully out of the Carton, and place it on a flat surface.
2. Be sure the power to the installation point is power off.
3. Determine the number of **Rods** to be assembled to the fixture body according to your hanging height. Pass supply wires through the **Rods**. Thread the **Rods** onto the **Nipple** on the top of the the **Fixture Body**. Hand tighten until snug.
4. Attach one end of the **Quick Link** on the bottom of **Canopy**, then attach the other end of the **Quick Link** onto the **Rods**.
5. Pass the supply wires through the **Ceiling Canopy** and the hole in the middle of the **Universal Bar**.
6. Place the **glass shade** carefully. Thread the **Metal Plate** and **Metal Sleeve** onto the **Socket**. Then lock the **Socket Collar** with the **Plastic Wrench** to secure the **Glass Shade**. Hand tighten until snug.
7. Install correct **Bulbs** referring to fixture markings and/or labels for maximum wattage. (**BT-58 Bulbs** Included)



PO BOX 558/3325 GRASSY HILL RD. ROCKY MOUNT, VIRGINIA 24151

www. uttermost.com