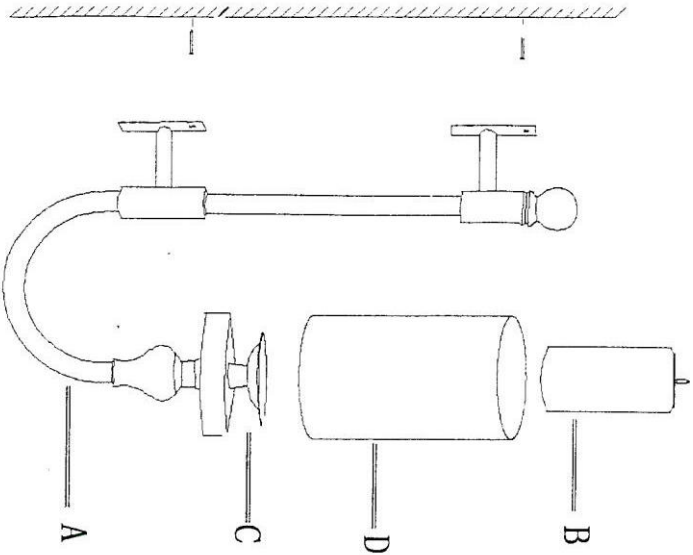




UTTERMOST Assembly Instruction

STYLE: 19476



1. Take the parts carefully out of the carton, and then place them on a flat and soft surface, making sure the parts will not be damaged.
2. This item comes with two key holes for hanging which locate at the plates: one is in the top and the other at the bottom. Put the anchor into the wall and insert screws requires by the pre-molded holes. A drill bit of diameter 1/4 inch is required while drilling on the wall. Space the screws on the wall so that they align with the key holes on the plates of the product.
3. Then hang the candle holder onto the wall, making sure the two key holes fit in with the screw heads and secure.
4. And then place the candle (A) onto the disc and the place the two key holes fit in with the screw heads on wall and till secure. Place the candle (B) onto the discs (C) and then place the clear glass shade (D) onto the disc.

To Clean, wipe with soft dry cloth.