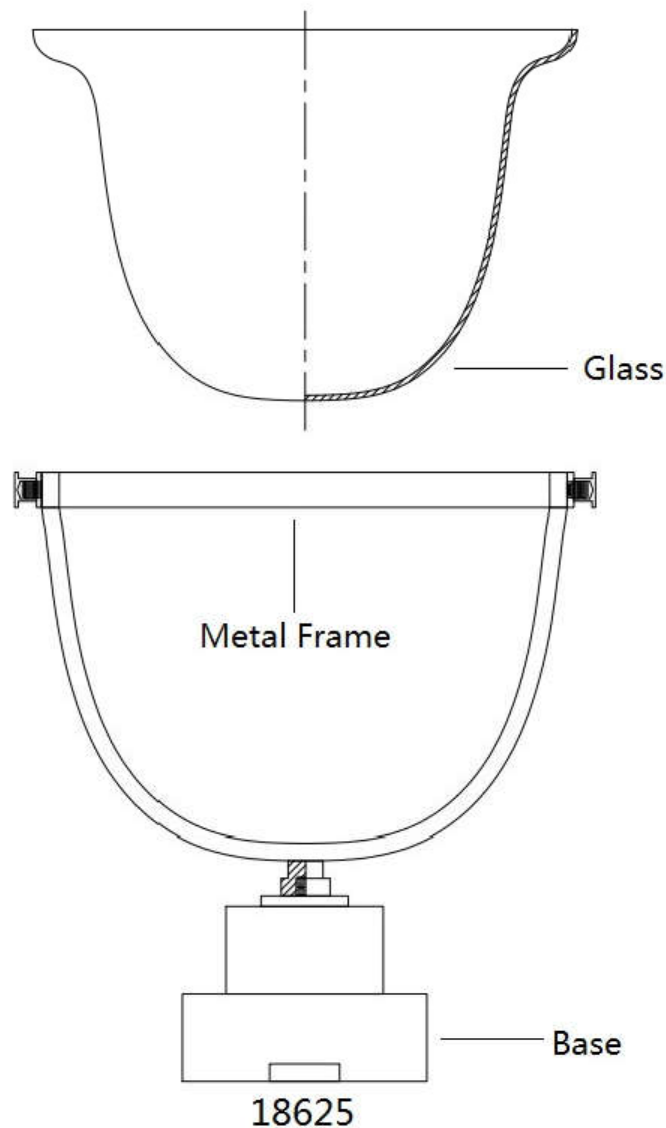




UTTERMOST

**STYLE# 18625****Careful unpack all ACCESSORY parts from the carton.**

1. Place the **Base** in an upright position on the floor.
2. Put the **Glass** into the **Metal Frame** with care.



PO BOX 558/3325 GRASSY HILL RD. ROCKY MOUNT, VIRGINIA 24151  
[www.uttermost.com](http://www.uttermost.com)