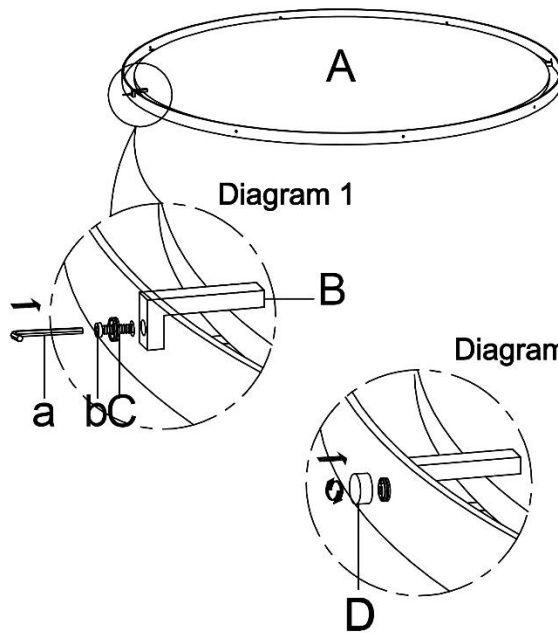


UTTERMOST

ASSEMBLY INSTRUCTIONS

STYLE:09982

Part.1



Parts list-A

A	Mirror Frame	1 PC
B	Gold Metal Clip	8 PCS
C	Threaded washer	8 PCS
D	Screw Cover Cap	8 PCS

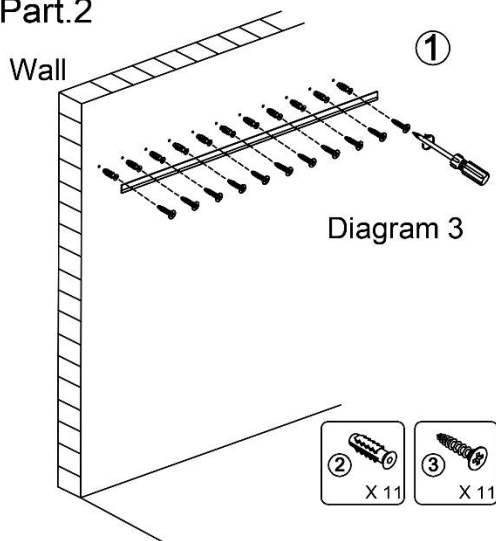
Hardware list-B

a	Allen Key	1 PC
b	Bolt	8 PCS

Parts list-B

①	Metal Cleat	1 PC
②	Anchors	12 PCS
③	Screws	12 PCS

Part.2



1. Take the Parts carefully out of the carton, and then place them on a flat and soft surface, making sure that the parts will not be scratched.

2. Please lay the Mirror Frame(A) flat on the table/ground with the front facing up, Install the Gold Metal Clips(Bx8) as shown in Diagram 1. Then, install the Screw Cover Caps(Dx8) as shown in diagram 2.

The accessories on the product have been assembled.

3. Installation of the Metal Cleat ① : Please measure the desired height at which the mirror will be hung. Use a power drill to drill holes into the wall. Then, according to the instructions in Diagram 3, install the Cleat on the wall using Anchors ② and screws ③.

Very Important: The wall cleat needs to screw into at least two wall studs. For screws that will not hit a wall stud a wall anchor must be used.

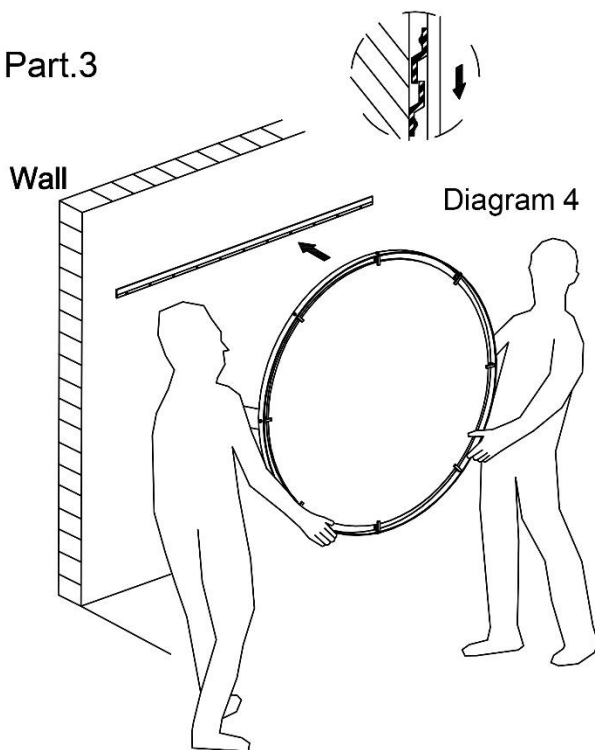
Page:1 of 2

UTTERMOST

ASSEMBLY INSTRUCTIONS

STYLE:09982

Part.3



4.To Clean,wipe with soft dry cloth.
As this product is very heavy, it is recommended that 2-4 people hang the mirror following the instructions in Diagram 4.

Assembly is completed .

To Clean,wipe with soft dry cloth.

Part.4

