

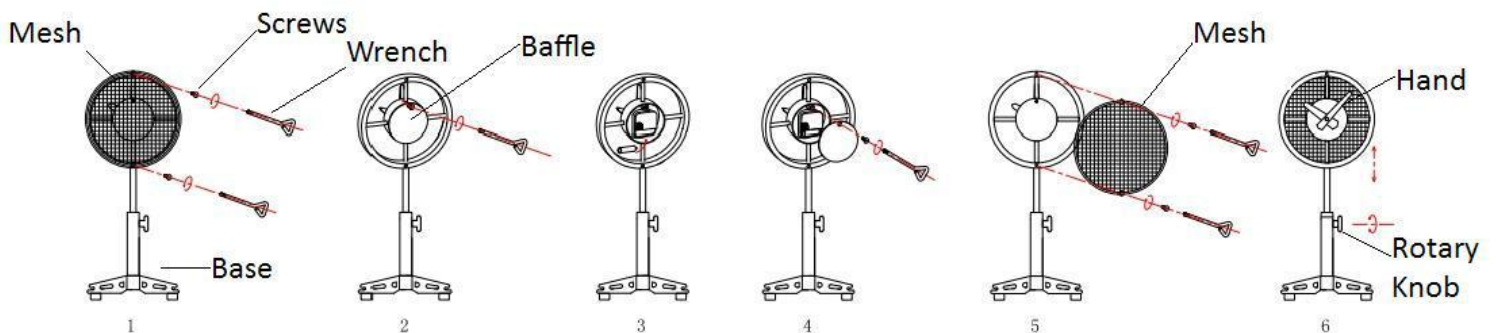
UTTERMOST

ASSEMBLY INSTRUCTIONS

STYLE#: 06104

Carefully unpack all Assembly parts from the carton.

1. Place the **Base** in an upright position on the floor.
2. Remove the **Mesh** and **Baffle** plate with a **Wrench**.
3. Install new alkaline batteries in proper +or - position (not enclosed).
4. Set time by turning knob on back of motor (clockwise only). When setting the time, check for proper clearance between hands as they pass by one another. Straighten (or even bend) hands to achieve proper clearance. **ANY FRICTION OR CONTACT BETWEEN HAND** will prevent your clock from keeping proper time.
5. Put the **Baffle** on top of the clock movement and aim the hole at the hole, lock the **Baffle** on the clock movement with a **Wrench** and **Screws**.
6. Turn the **Rotary Knob** to adjust height.
7. List the proper battery type. Example: AA



06104