

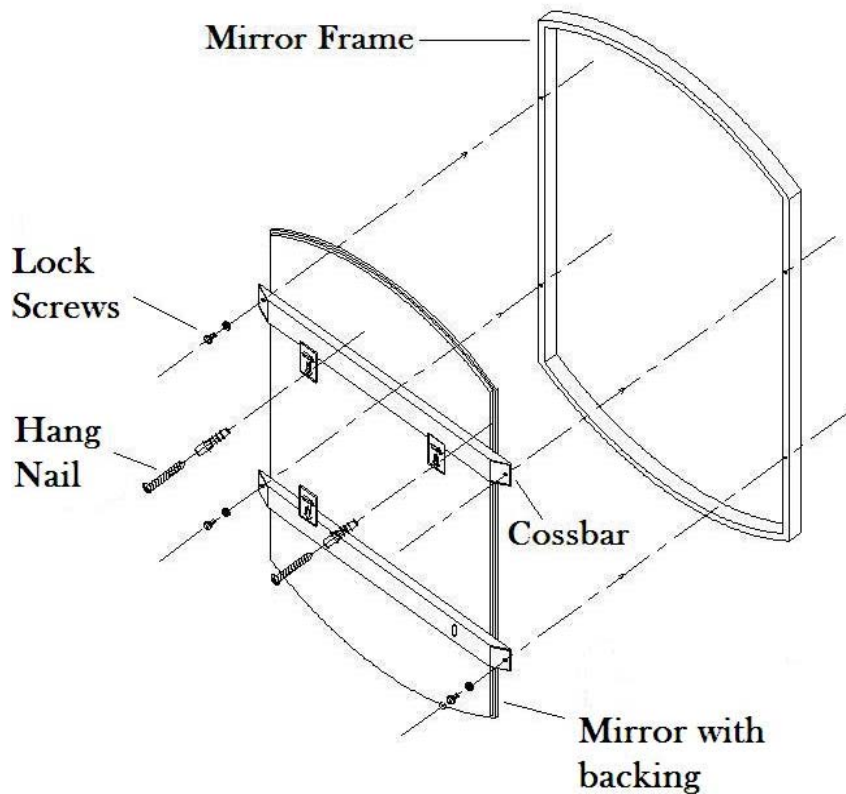
ASSEMBLY INSTRUCTIONS

STYLE# 01128

Carefully unpack all mirror parts from the carton.

- A. Place the **Mirror Frame** onto a flat working surface with backing facing you.
- B. Place the **Mirror with Backing** onto the backside of the **Mirror Frame**.
- C. Thread **Lock Screws** into Mounting Holes on the **Mirror Frame** to secure them together.
Hand tighten until snug.

Clean glass with household glass cleaner. Retain this sheet for future reference.



01128