

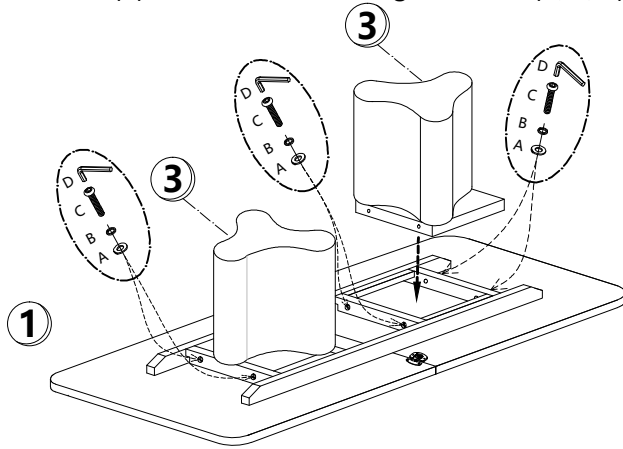
UTTERMOST




ASSEMBLY INSTRUCTIONS

ITEM.: 50171

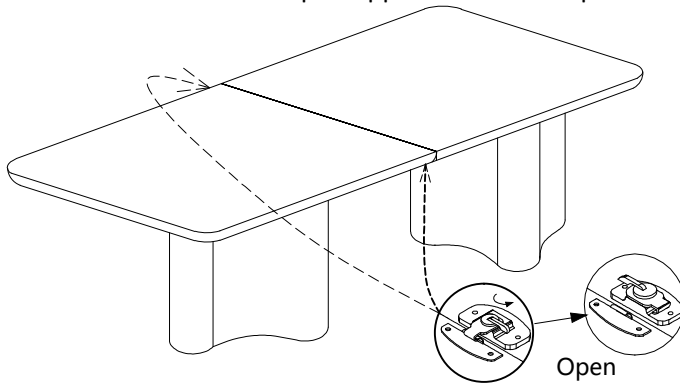
Page 1 of 1





Step 1 Lay the Table Top (1) upside down on a soft, flat surface. Assemble the Base (3) as shown below using hardware (A, B, C).



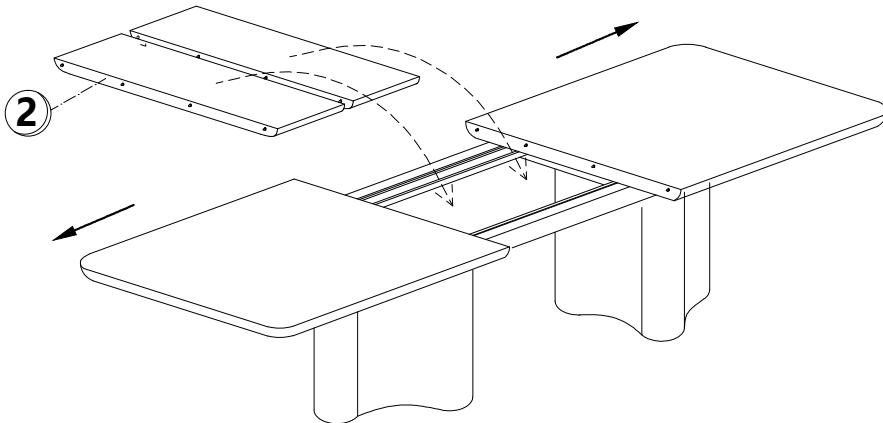
PART LIST		
NO.	DESCRIPTION	QTY
1	Table top 	1 Set
2	Leaf 	2 Pcs
3	Base 	2 Pcs

Step 2 Use a Team Lift to flip the table over in an upright position. Pull both ends of the table top at opposite ends to separate



HARDWARE		
A	Flat washer 	8 pcs
B	Lock washer 	8 pcs
C	Bolt 	8 pcs
D	Allen wrench 	1 pc

Step 3 Install the Leaf (2). Be sure each hole and pin on either side of the Leaf line up.



Step 4 Secure the Leaf by locking the pins in place on the underside of the Table Top. Assembly is complete.

